

advance
AUTO-WIRE

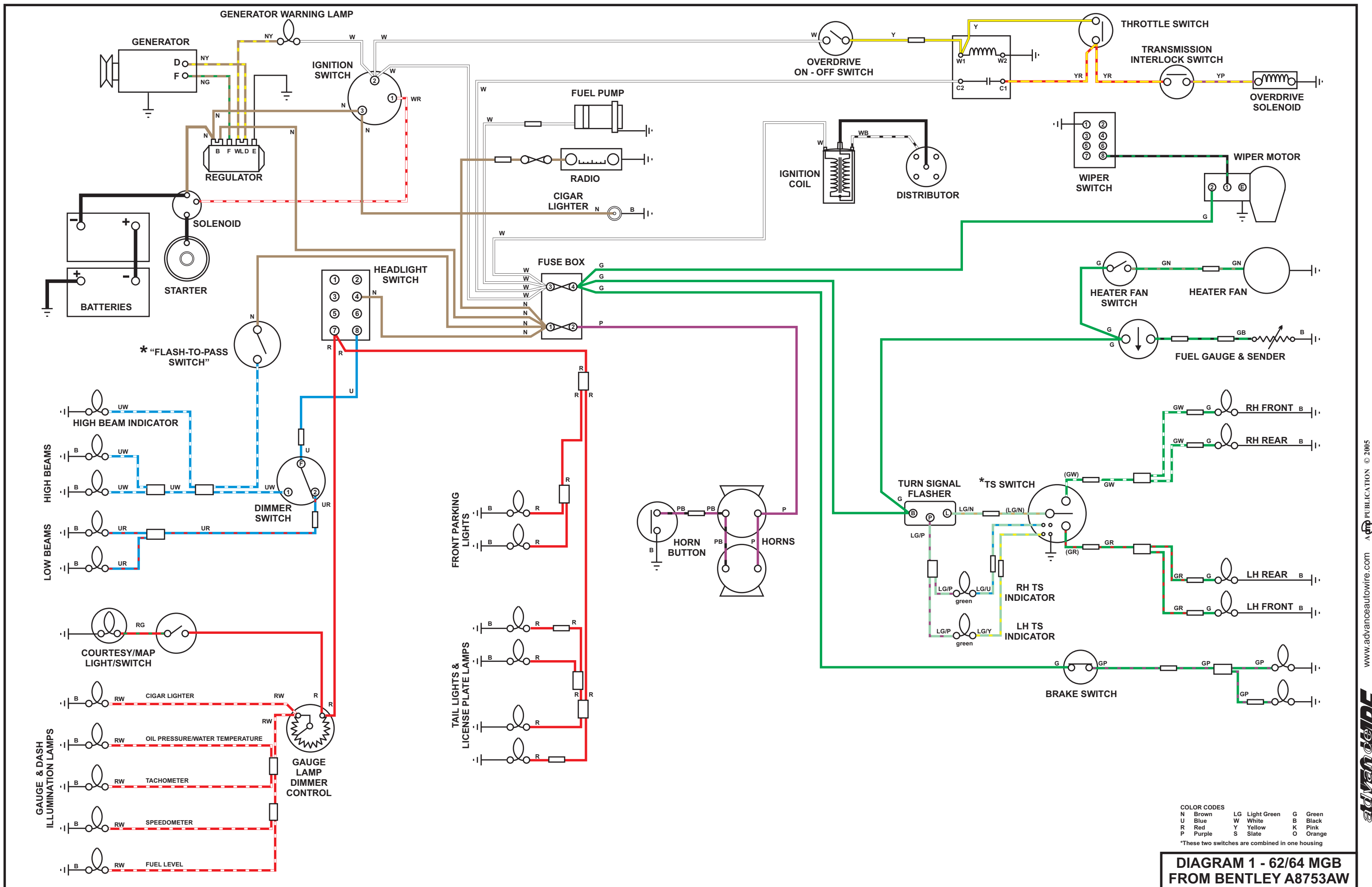
www.advanceautowire.com

MGB, MGC, MGBV8 WIRING DIAGRAMS



A  PUBLICATION
© 2005

May be reproduced for personal, non-commercial use only



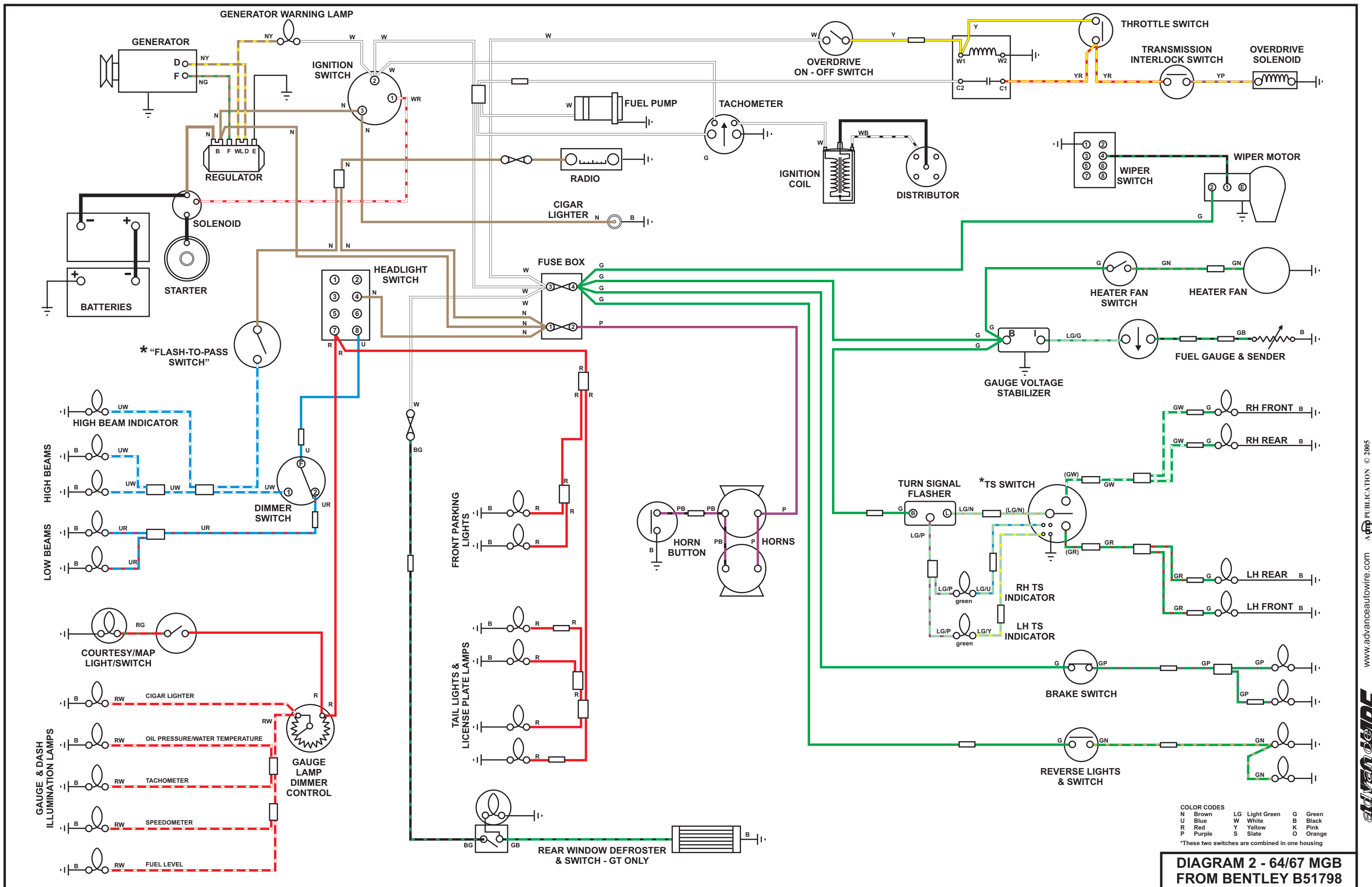
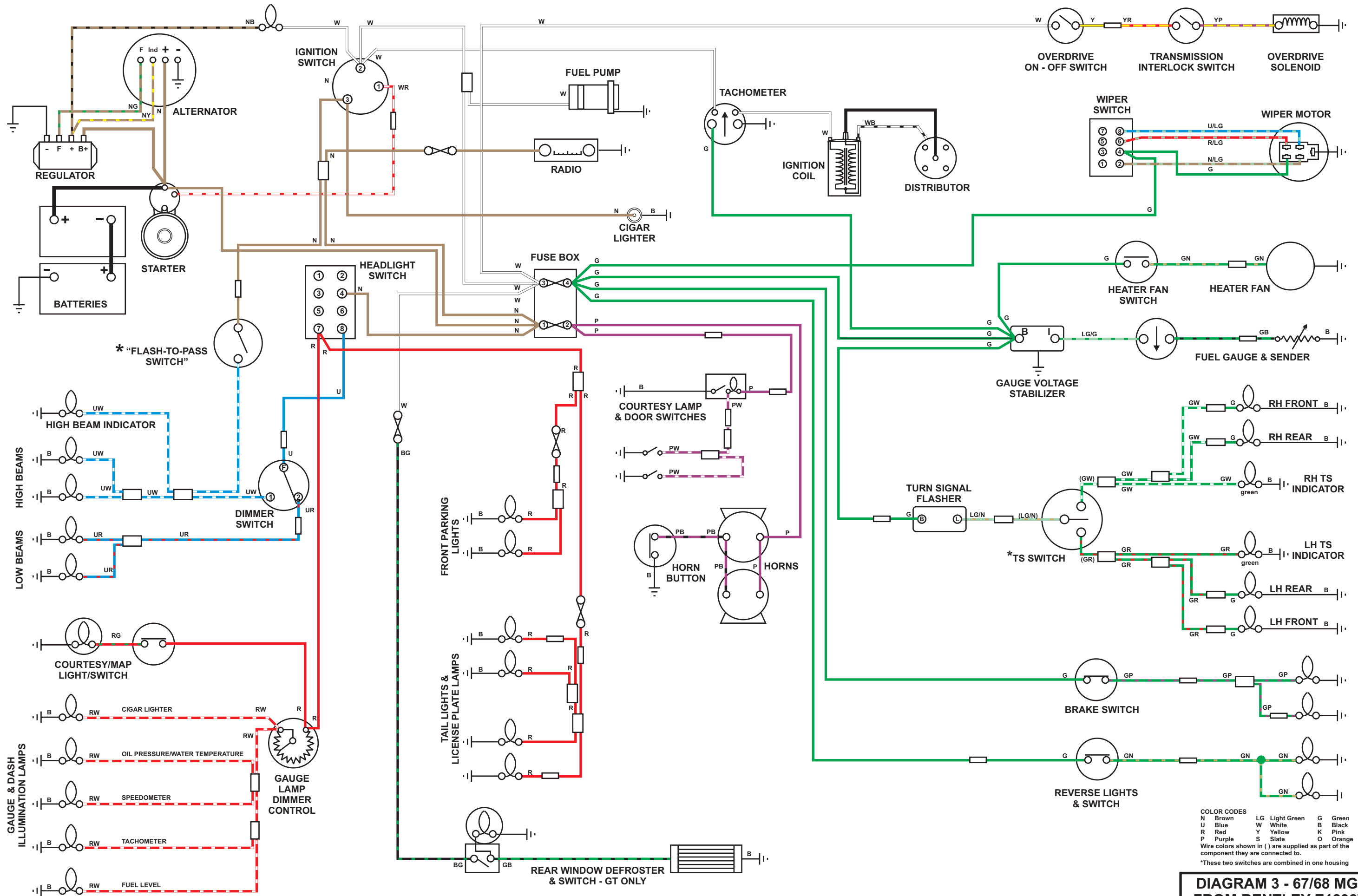


DIAGRAM 2 - 64/67 MGB FROM BENTLEY B51798



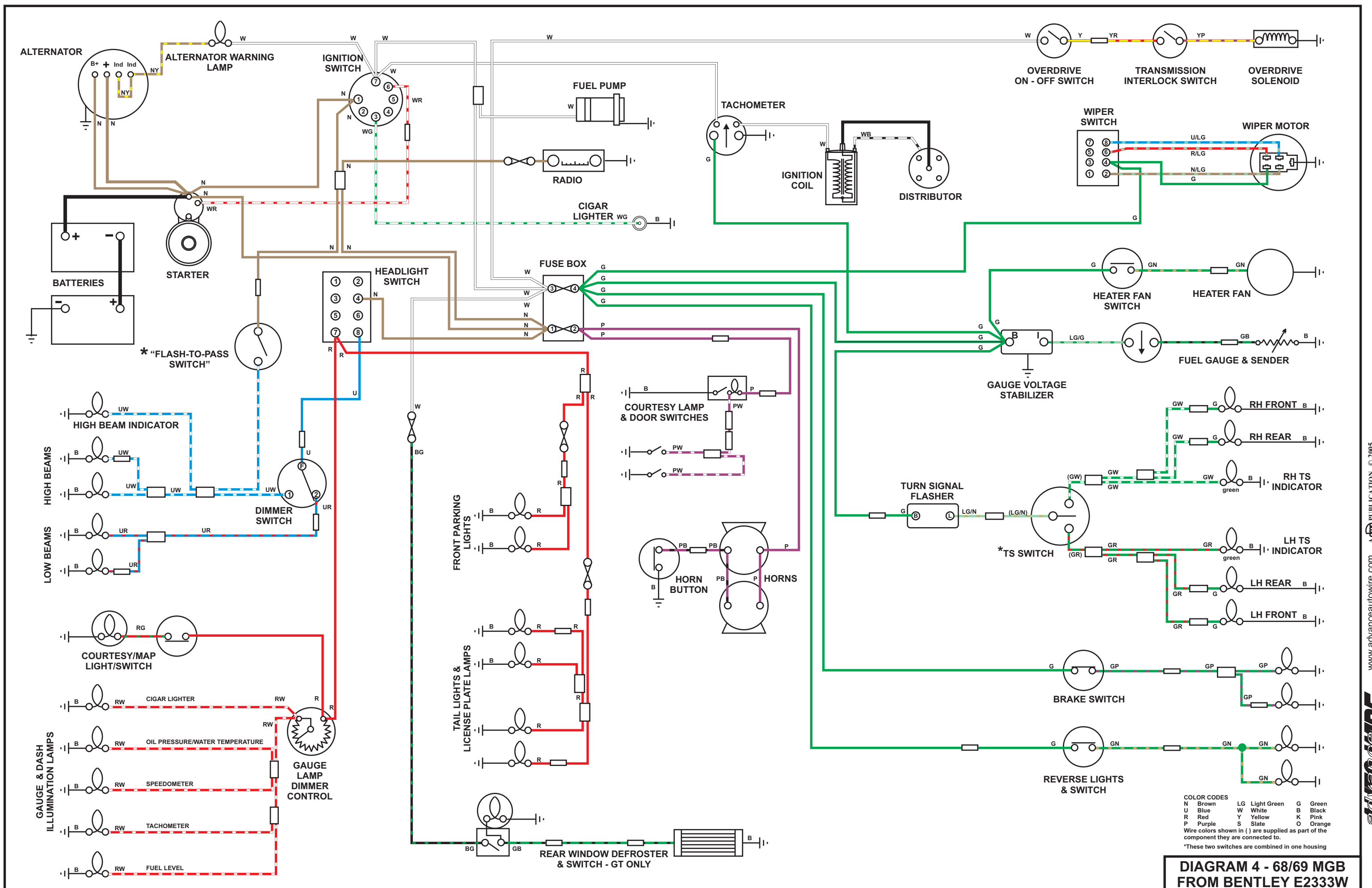


DIAGRAM 4 - 68/69 MGB FROM BENTLEY E2333W

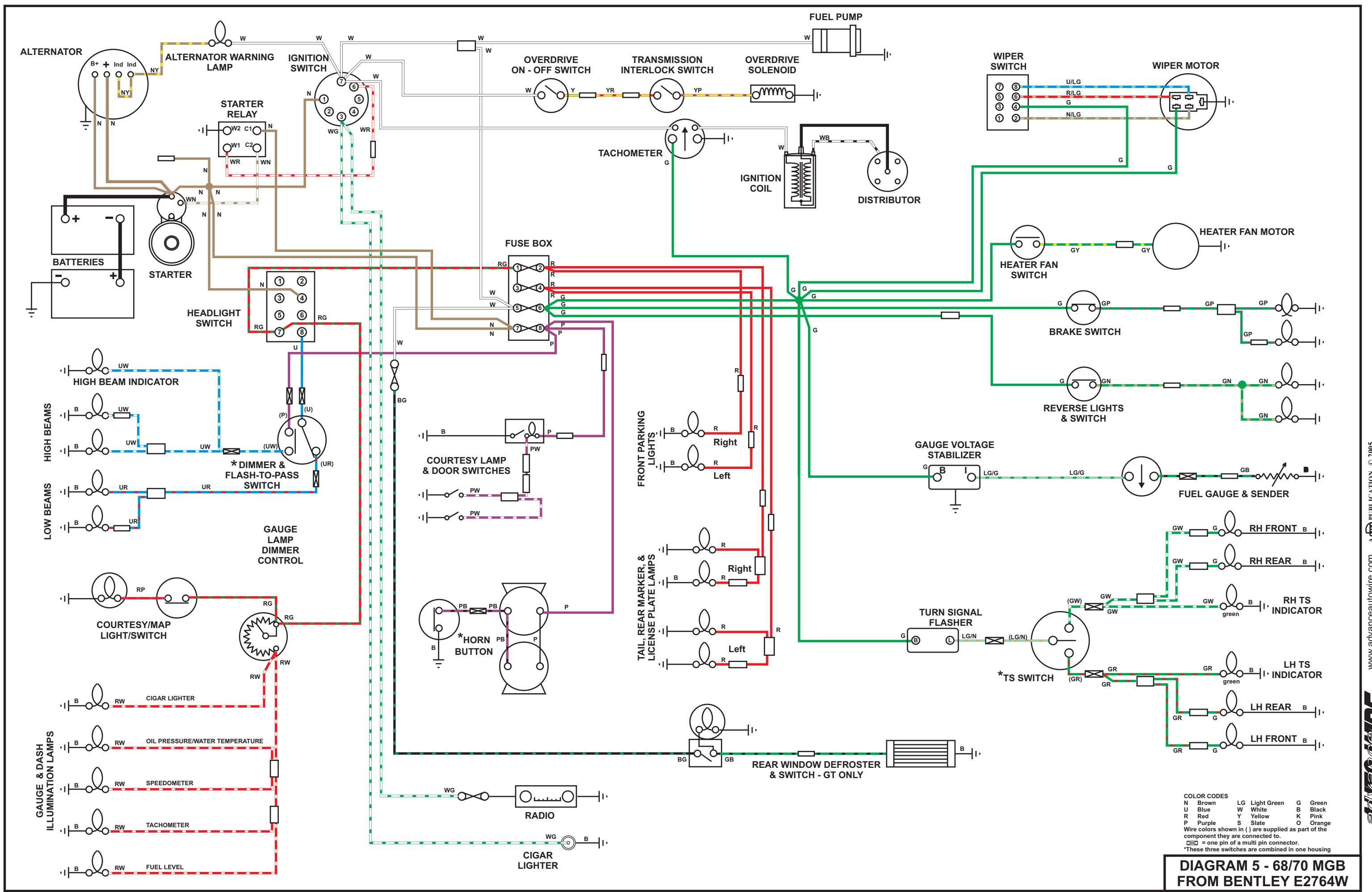


DIAGRAM 5 - 68/70 MGB FROM BENTLEY E2764W

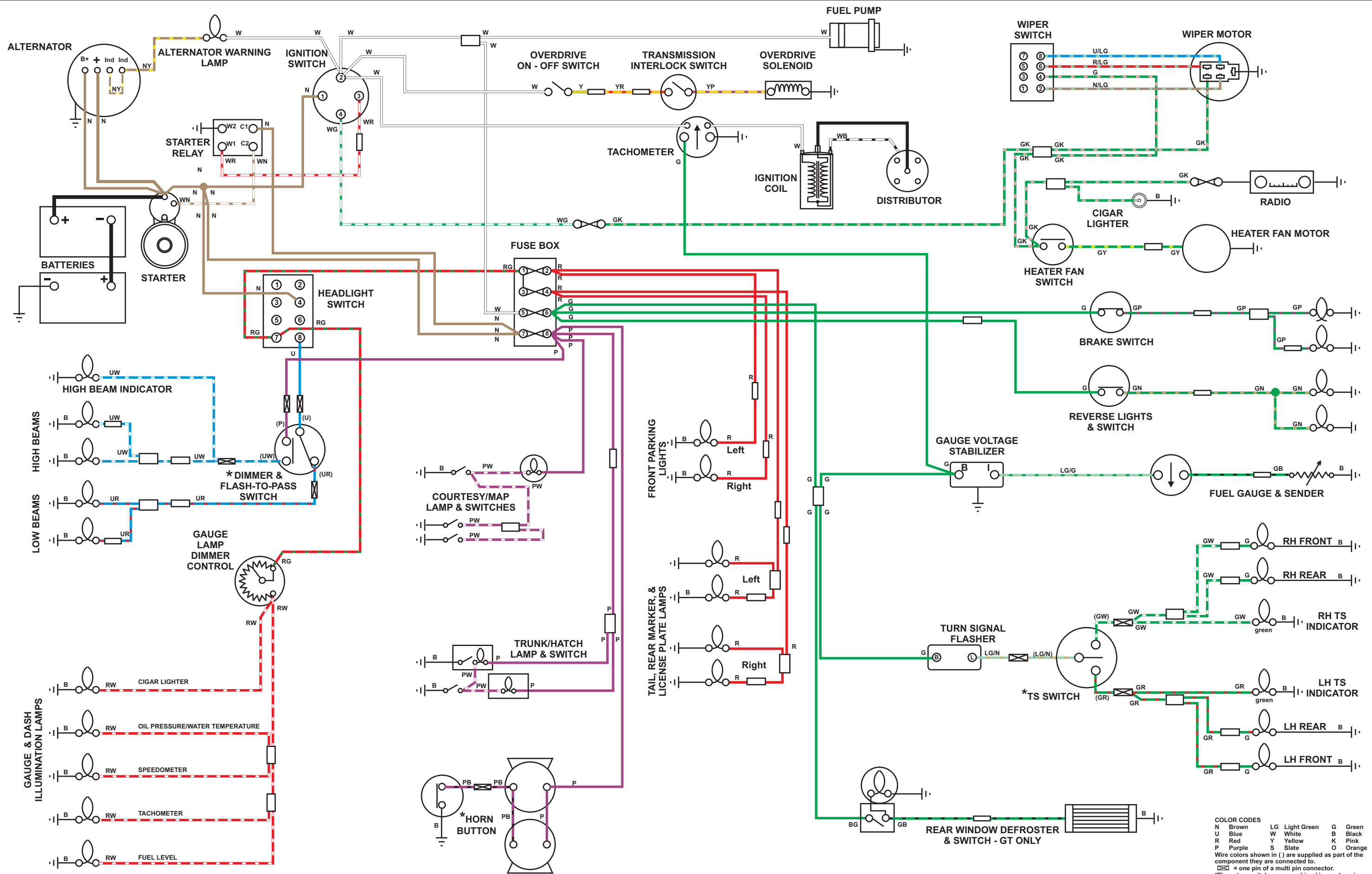


DIAGRAM 6 - 70/71 MGB FROM BENTLEY E3212W

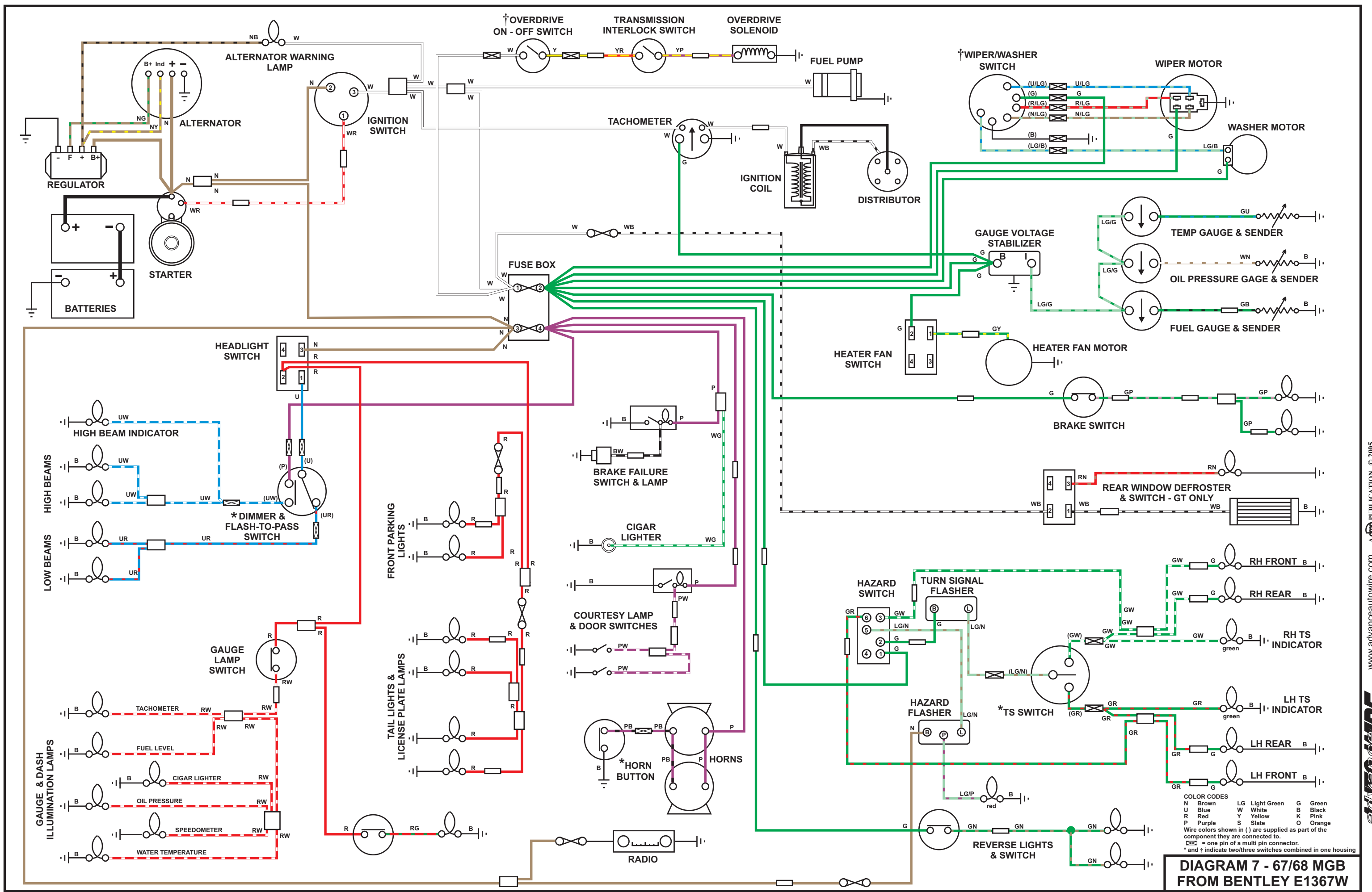


DIAGRAM 7 - 67/68 MGB FROM BENTLEY E1367W

COLOR CODES
 N Brown LG Light Green G Green
 U Blue W White B Black
 R Red Y Yellow K Pink
 P Purple S Slate O Orange

Wire colors shown in () are supplied as part of the component they are connected to.
 ⊠ = one pin of a multi pin connector.
 † and ‡ indicate two/three switches combined in one housing

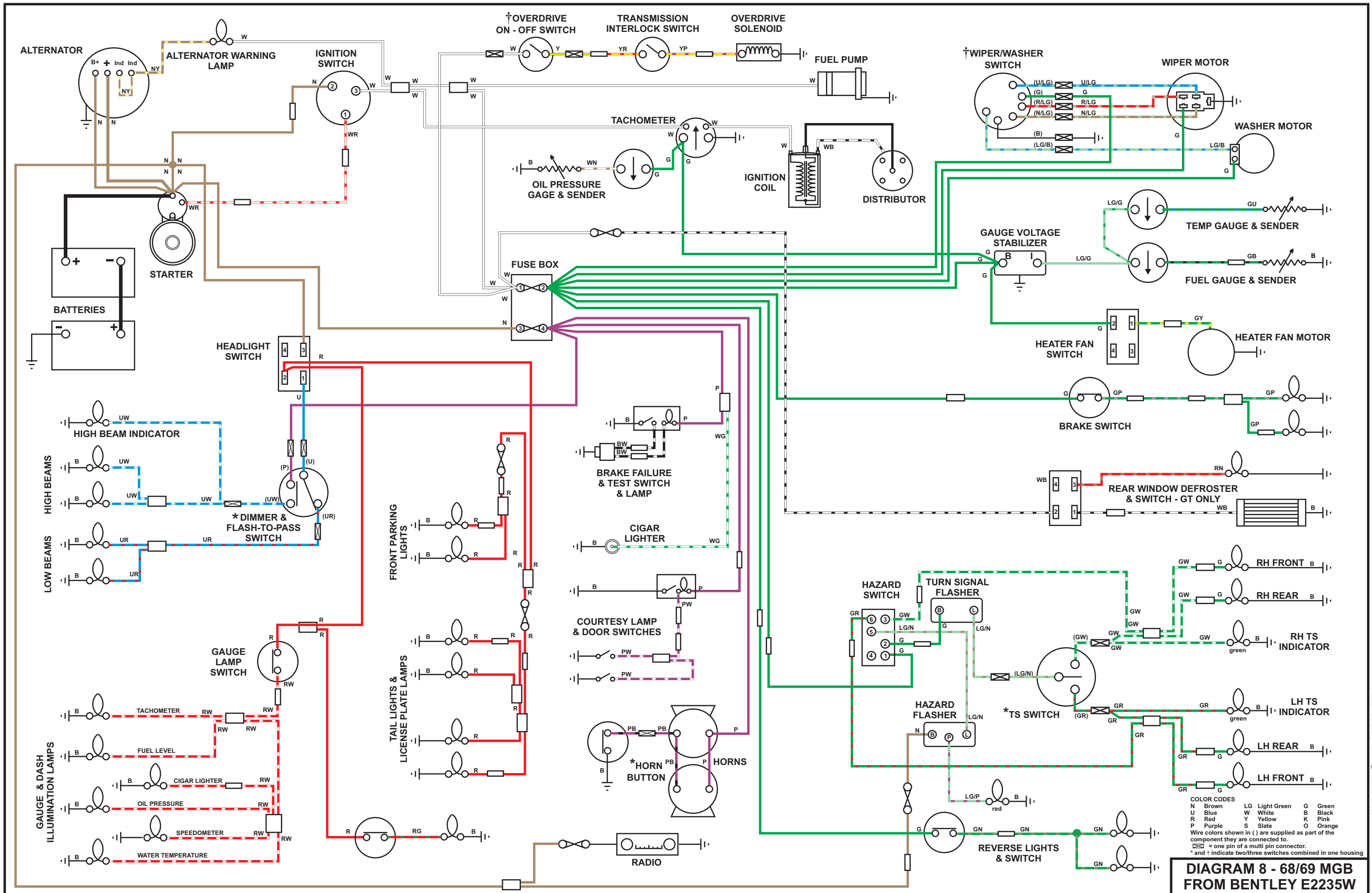
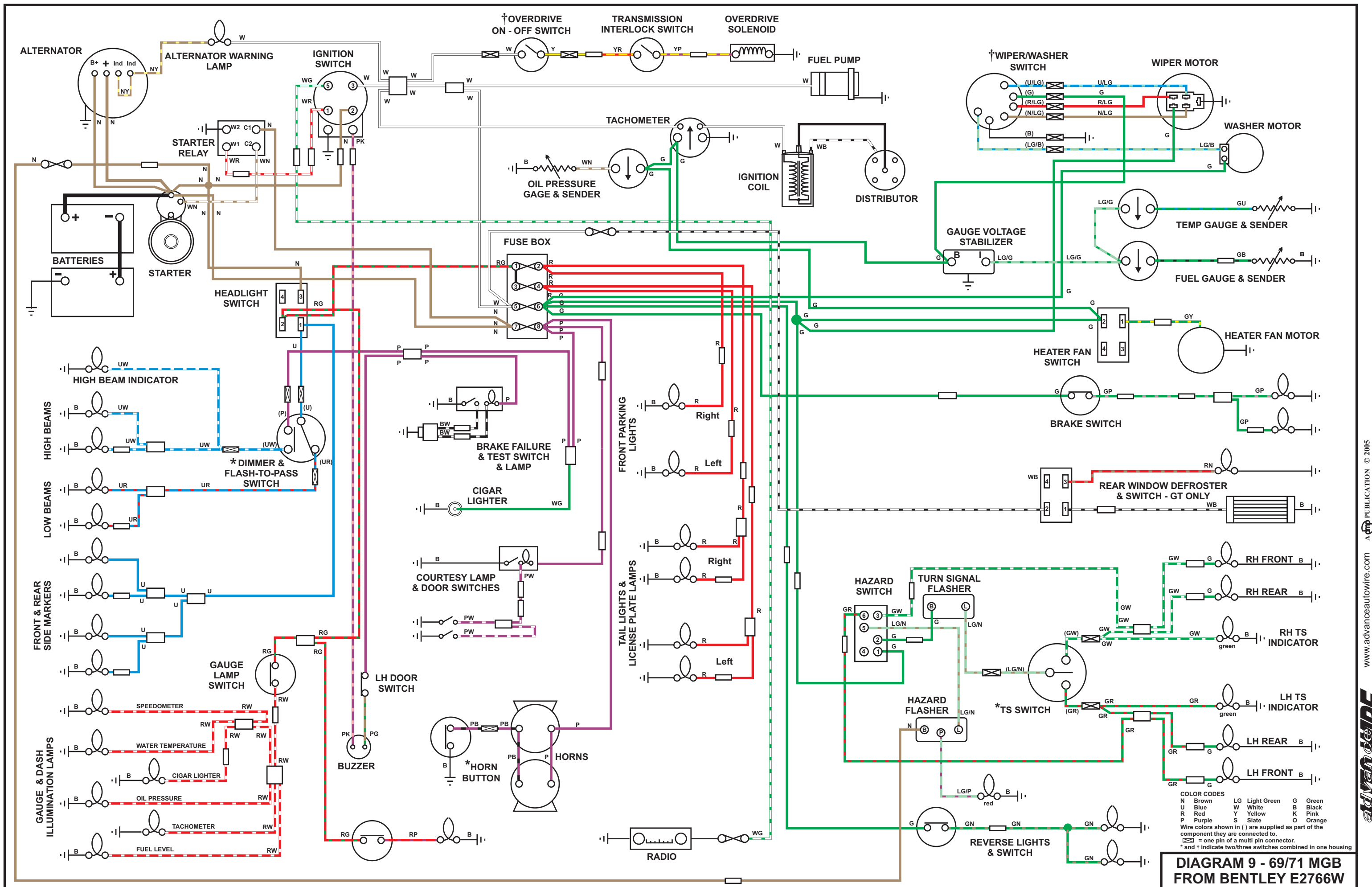
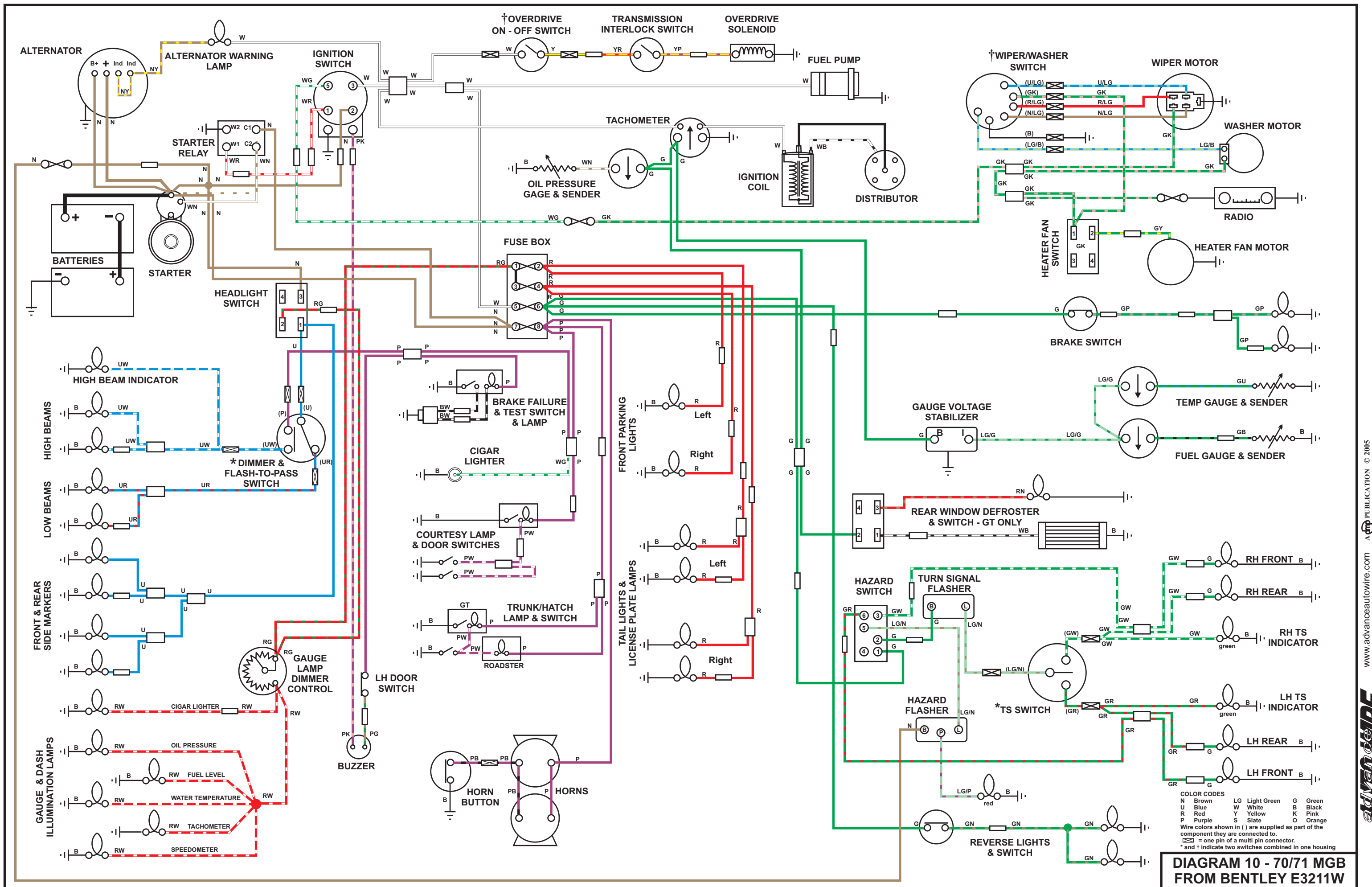


DIAGRAM 8 - 68/69 MGB FROM BENTLEY E2235W





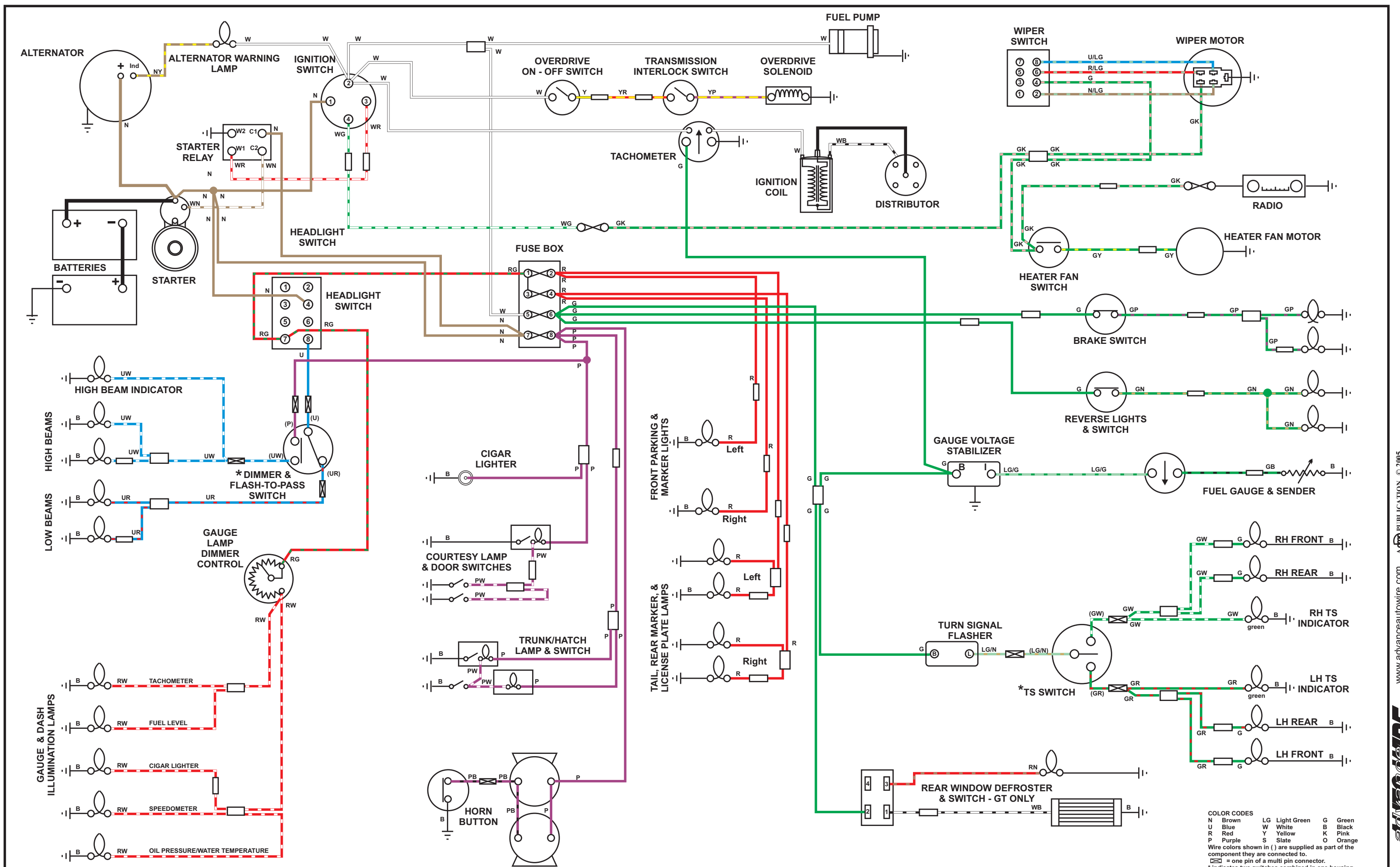
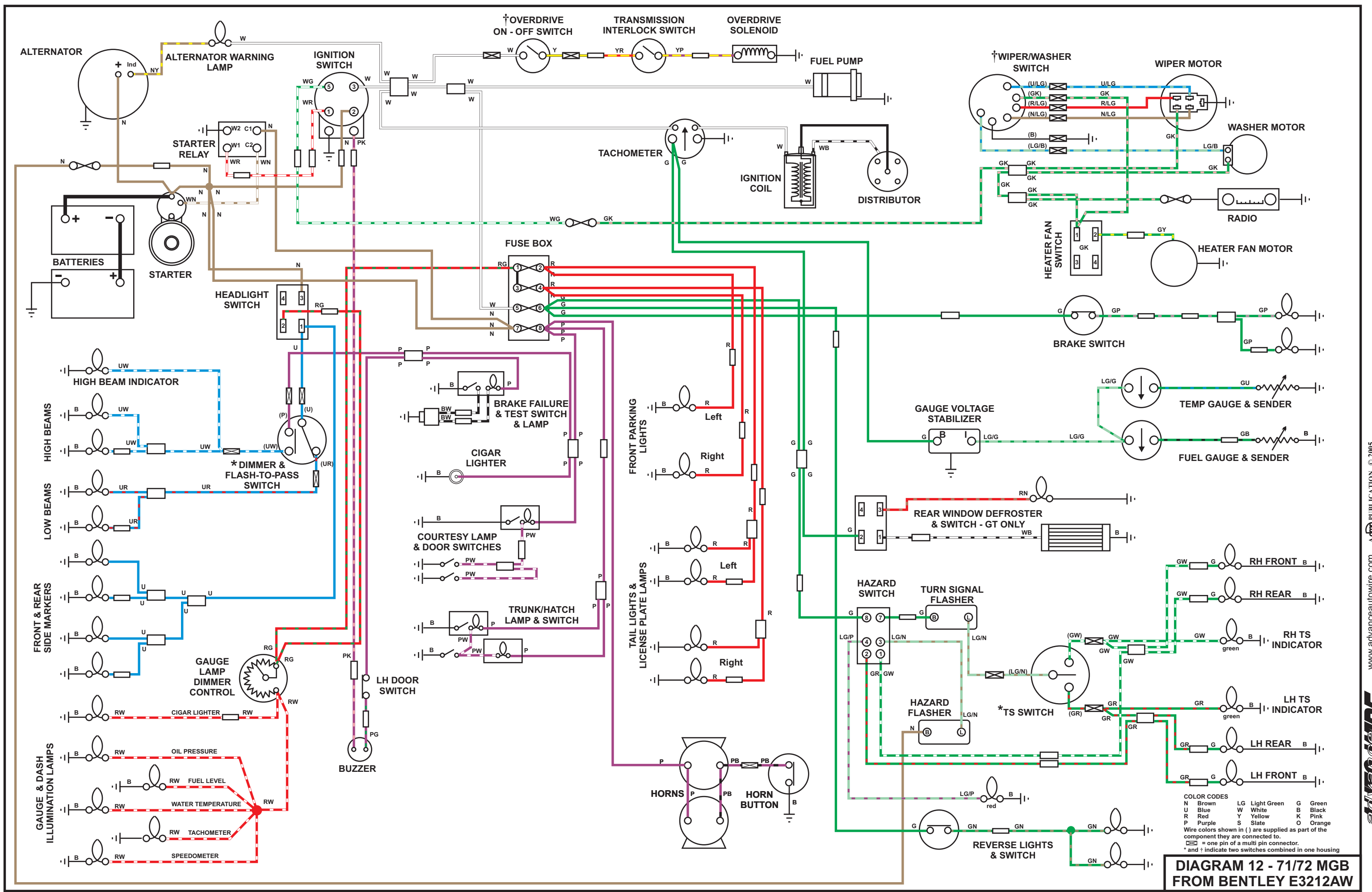
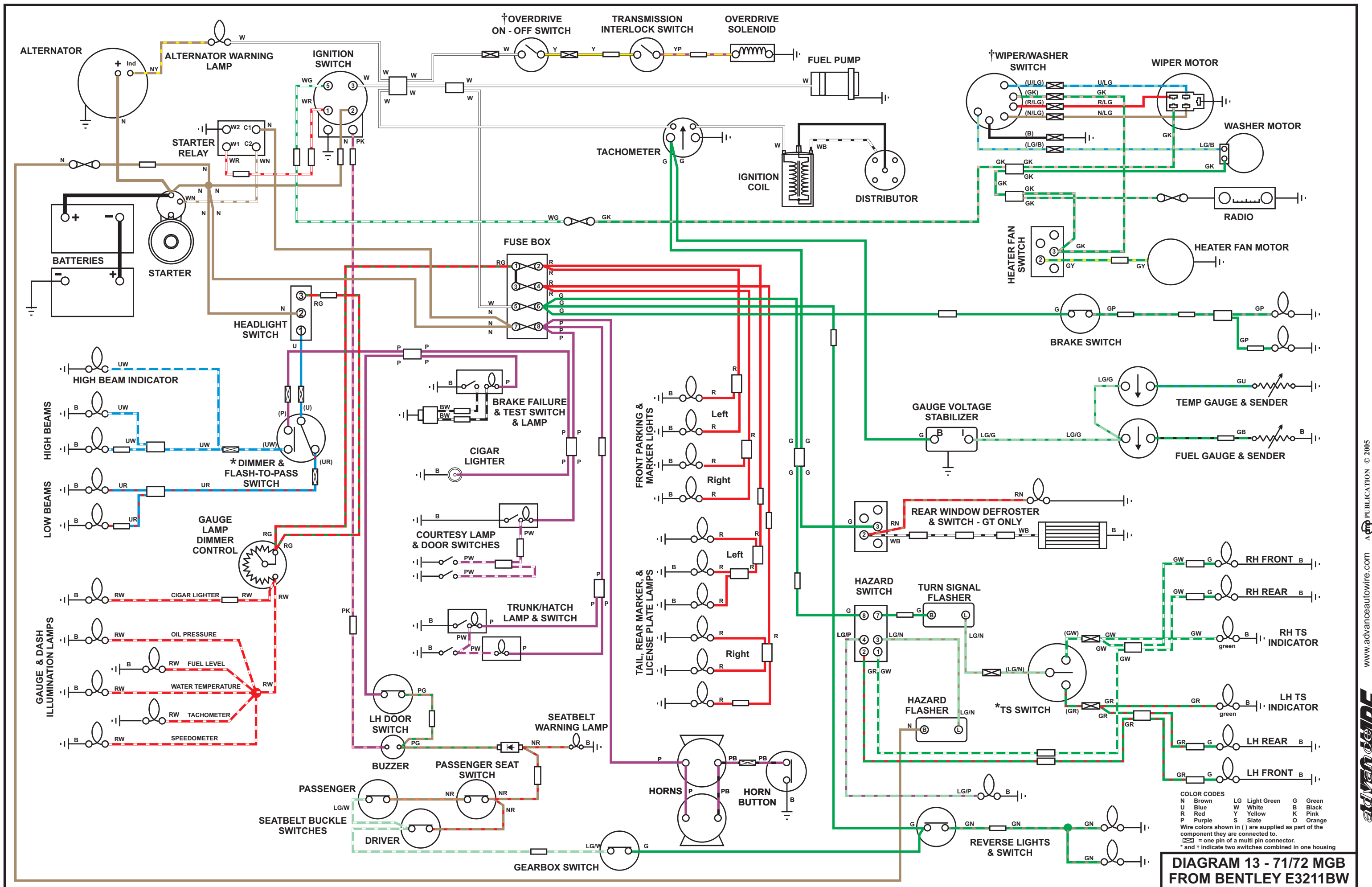
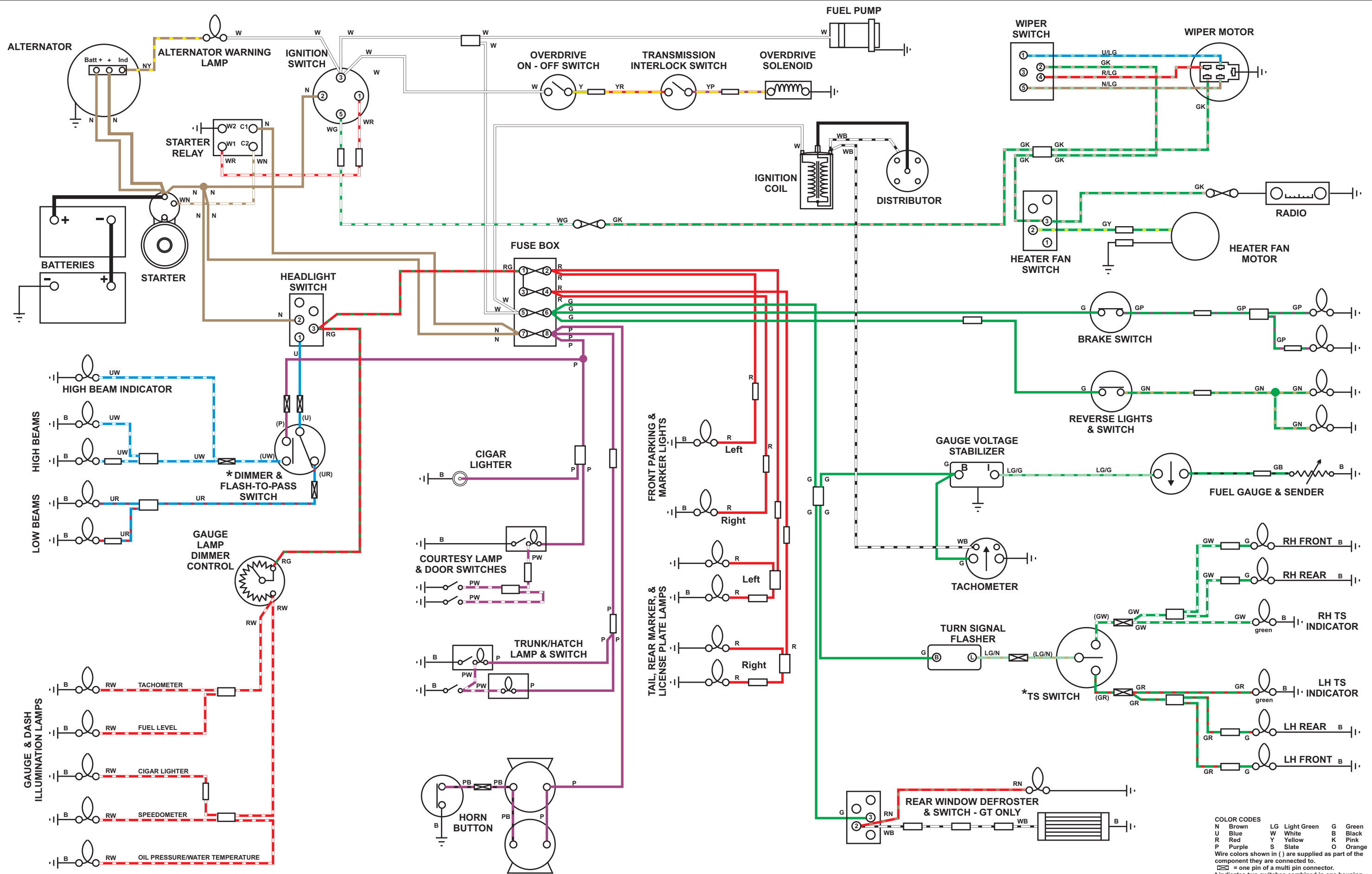


DIAGRAM 11 - 71/72 MGB FROM BENTLEY E3212AW







COLOR CODES
 N Brown LG Light Green G Green
 U Blue W White B Black
 R Red Y Yellow K Pink
 P Purple S Slate O Orange
 Wire colors shown in () are supplied as part of the component they are connected to.
 ☒ = one pin of a multi pin connector.
 * indicates two switches combined in one housing

DIAGRAM 14 - 72/73 MGB FROM BENTLEY 3N064

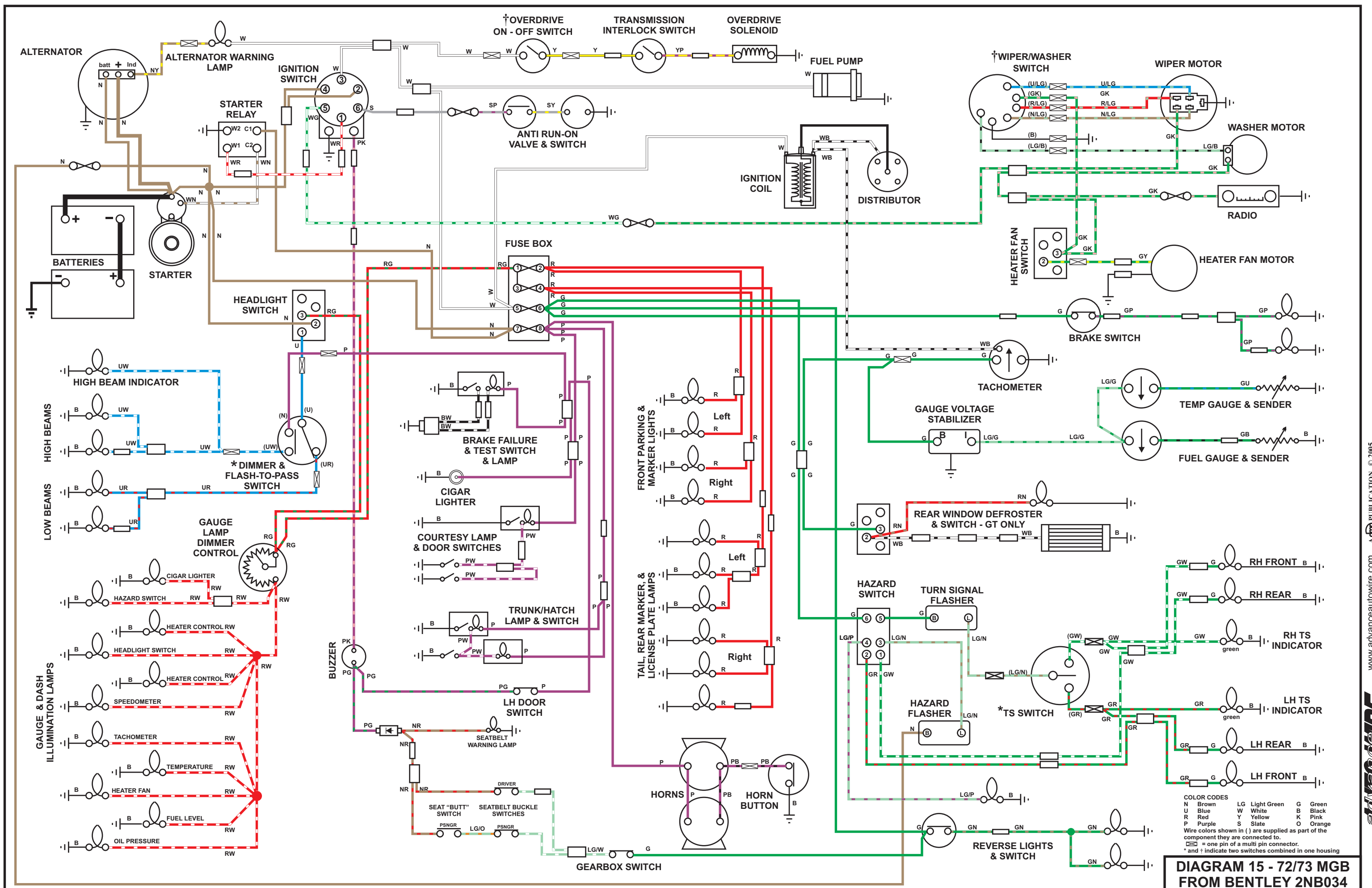


DIAGRAM 15 - 72/73 MGB FROM BENTLEY 2NB034

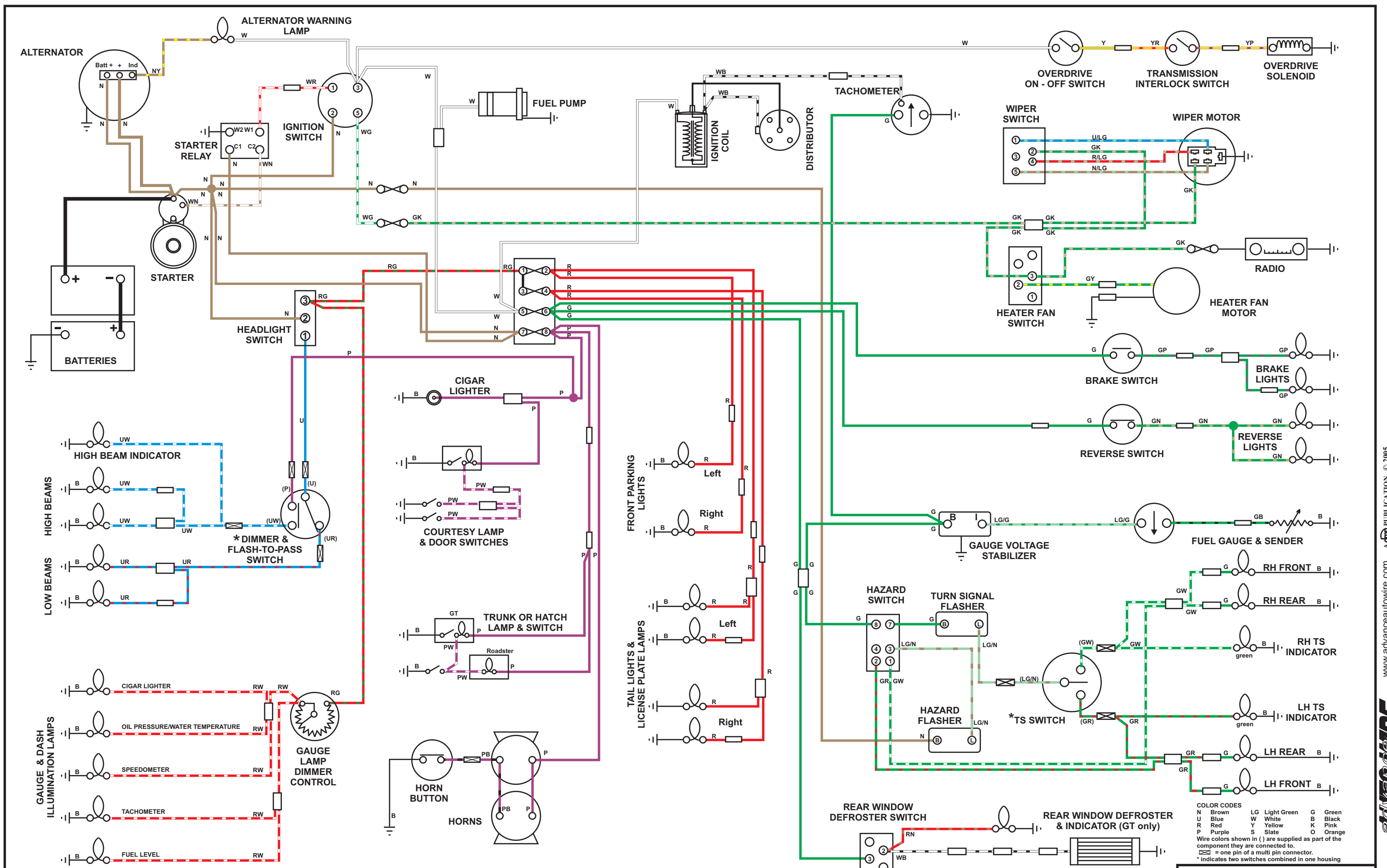


DIAGRAM 16 - 73/74 MGB FROM BENTLEY 3NB056

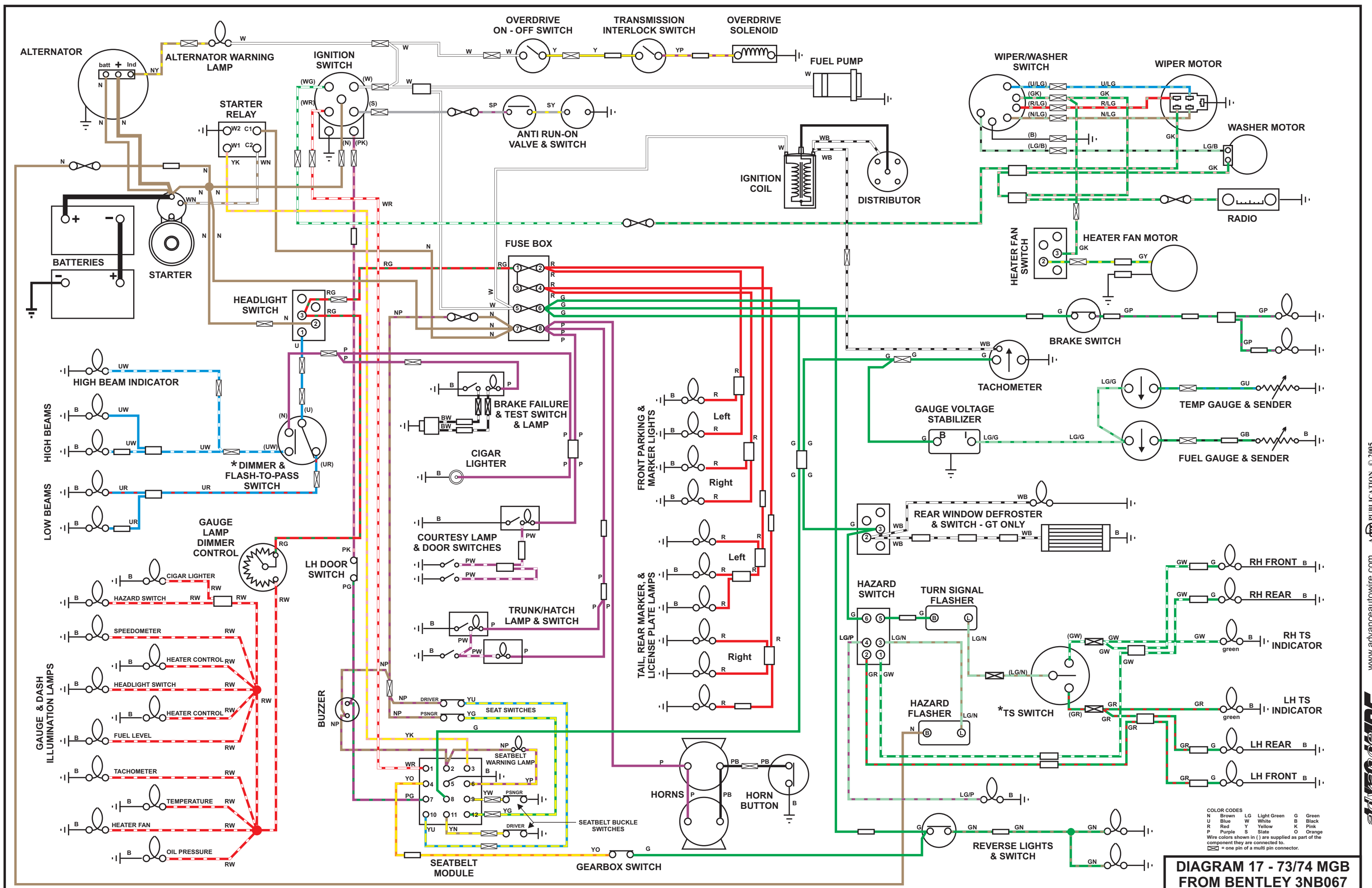


DIAGRAM 17 - 73/74 MGB FROM BENTLEY 3N067

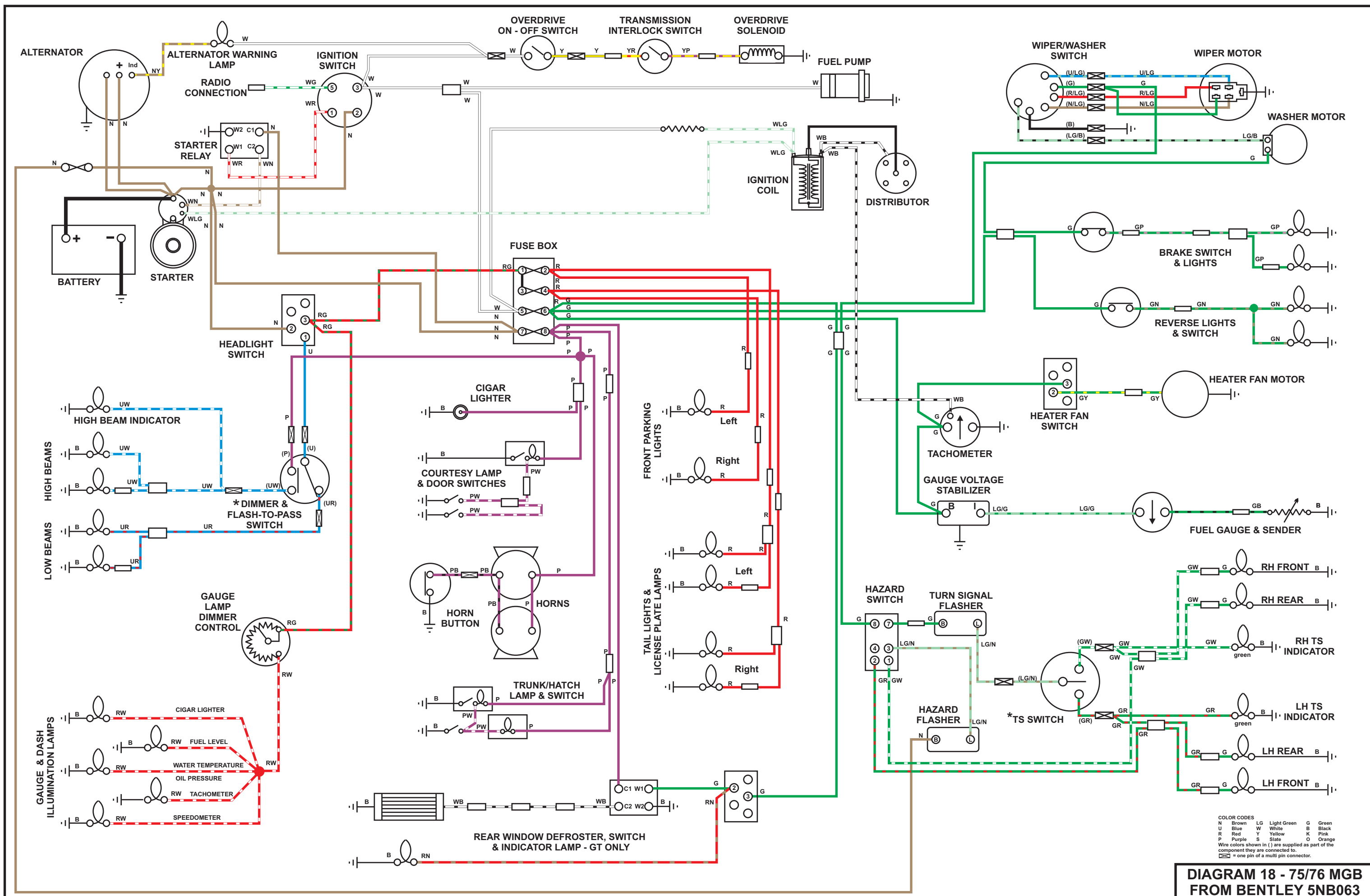
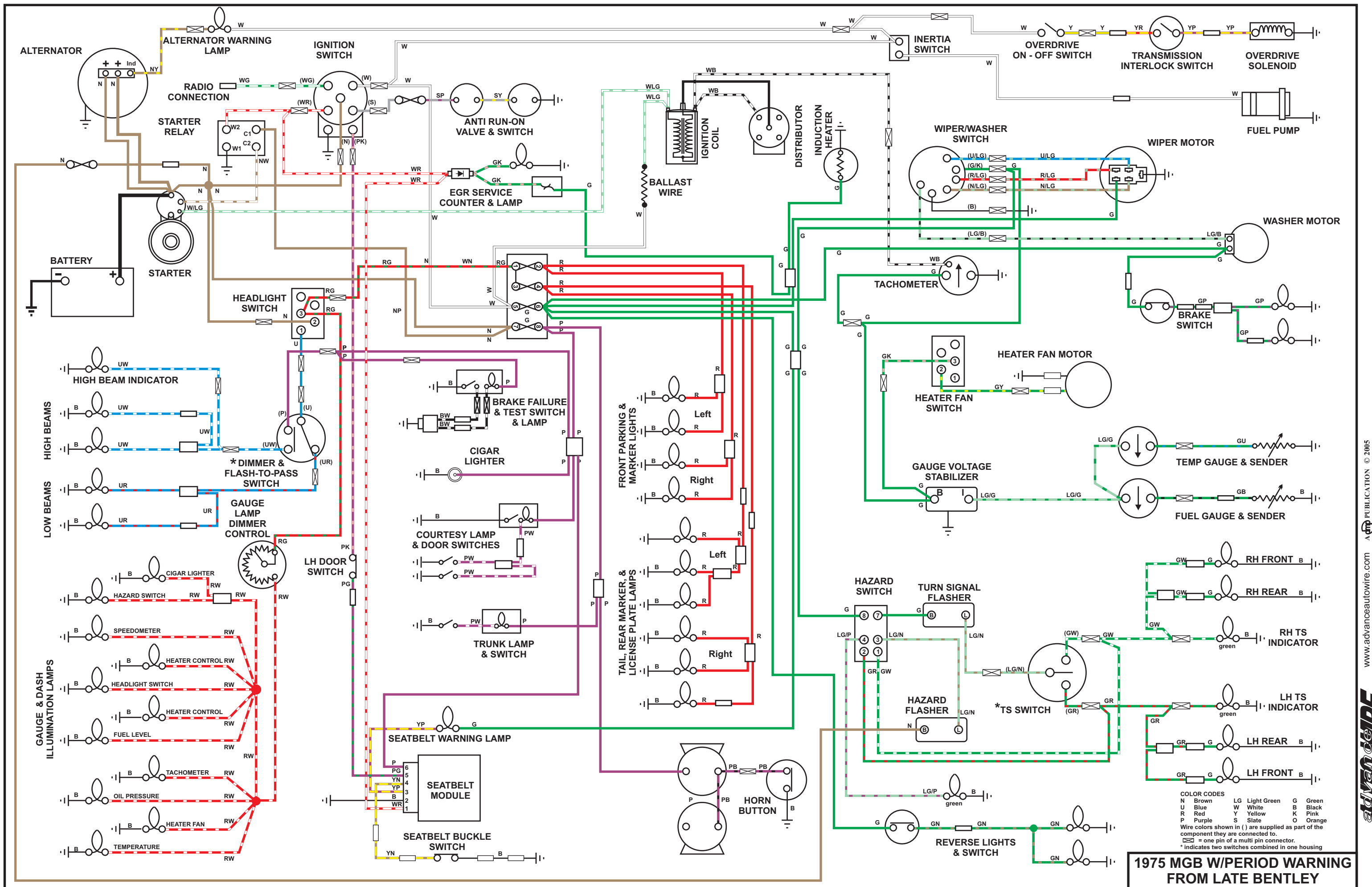
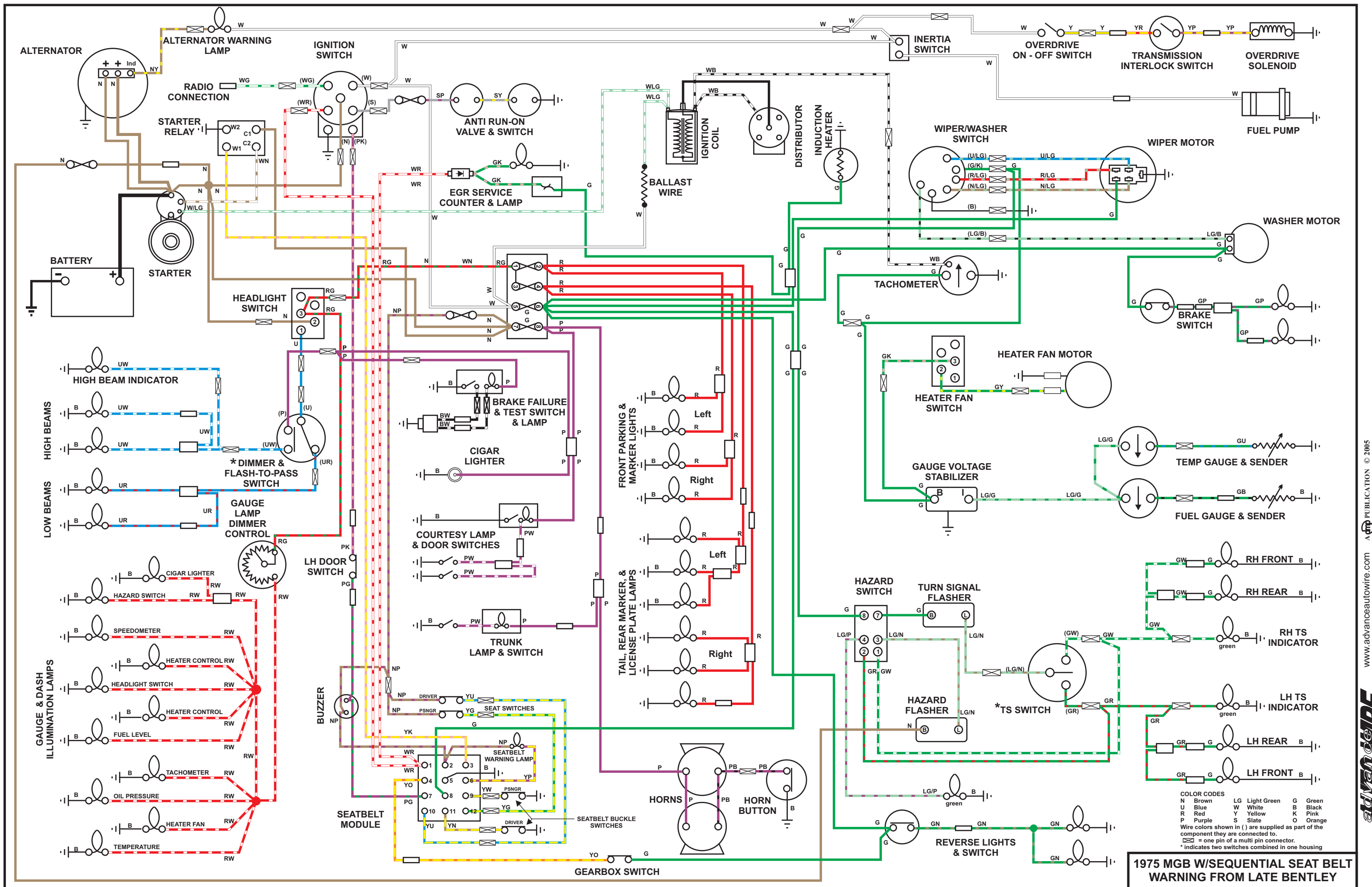


DIAGRAM 18 - 75/76 MGB FROM BENTLEY 5NB063

COLOR CODES
 N Brown LG Light Green G Green
 U Blue W White B Black
 R Red Y Yellow K Pink
 P Purple S Slate O Orange
 Wire colors shown in () are supplied as part of the component they are connected to.
 ⊞ = one pin of a multi pin connector.





COLOR CODES

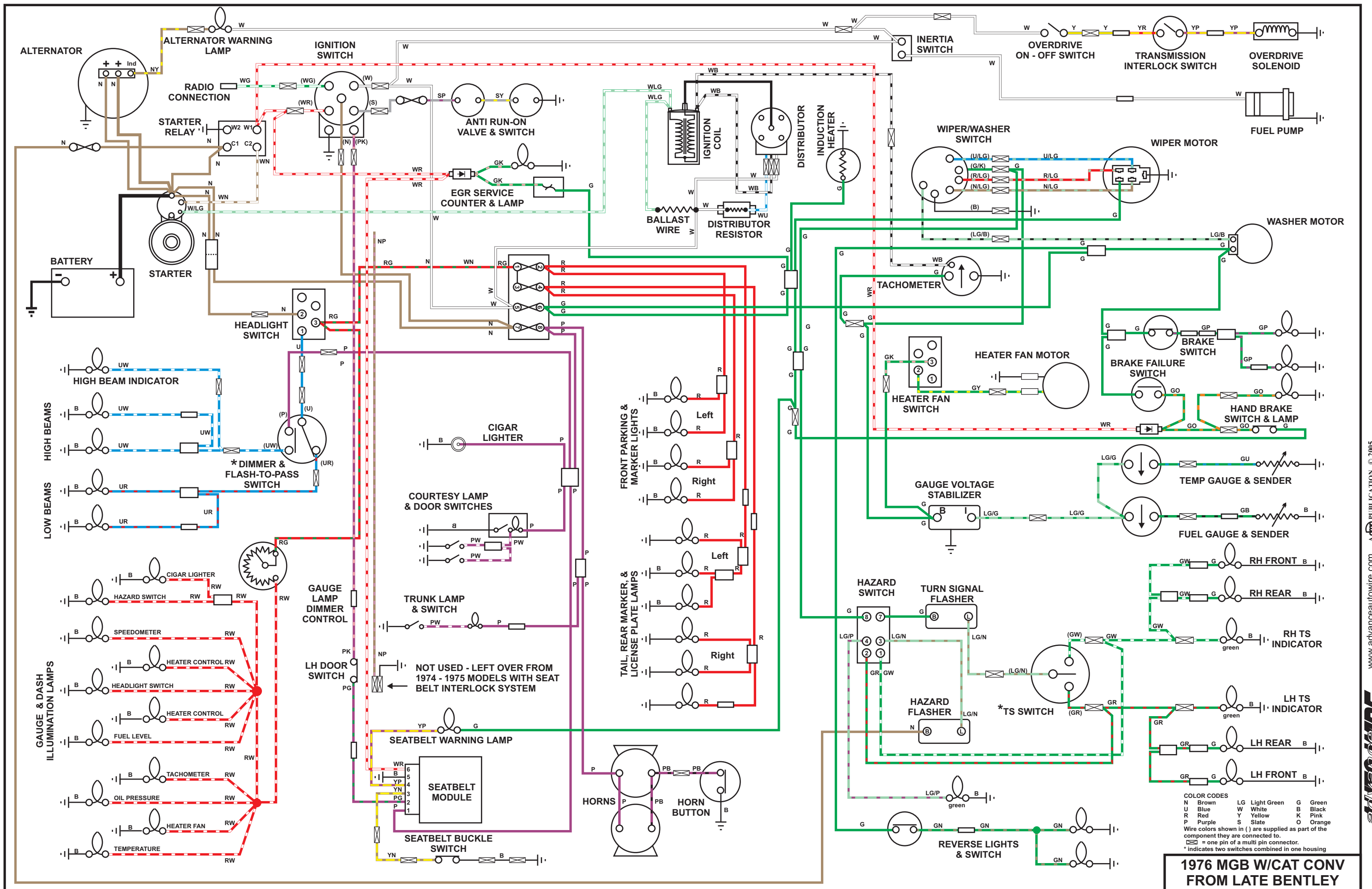
N	Brown	LG	Light Green	G	Green
U	Blue	W	White	B	Black
R	Red	Y	Yellow	K	Pink
P	Purple	S	Slate	O	Orange

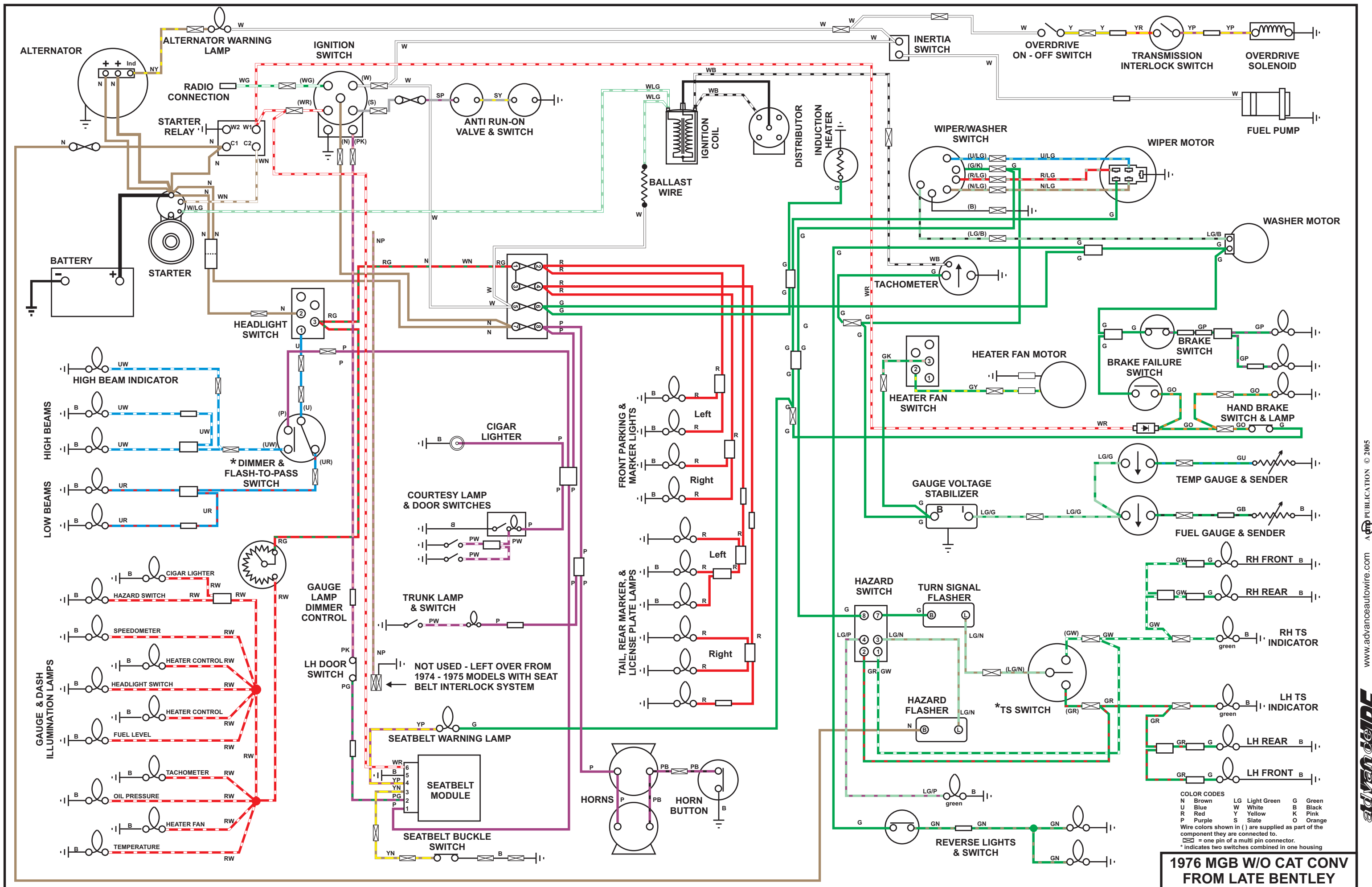
Wire colors shown in () are supplied as part of the component they are connected to.
 ⊞ = one pin of a multi pin connector.
 * indicates two switches combined in one housing

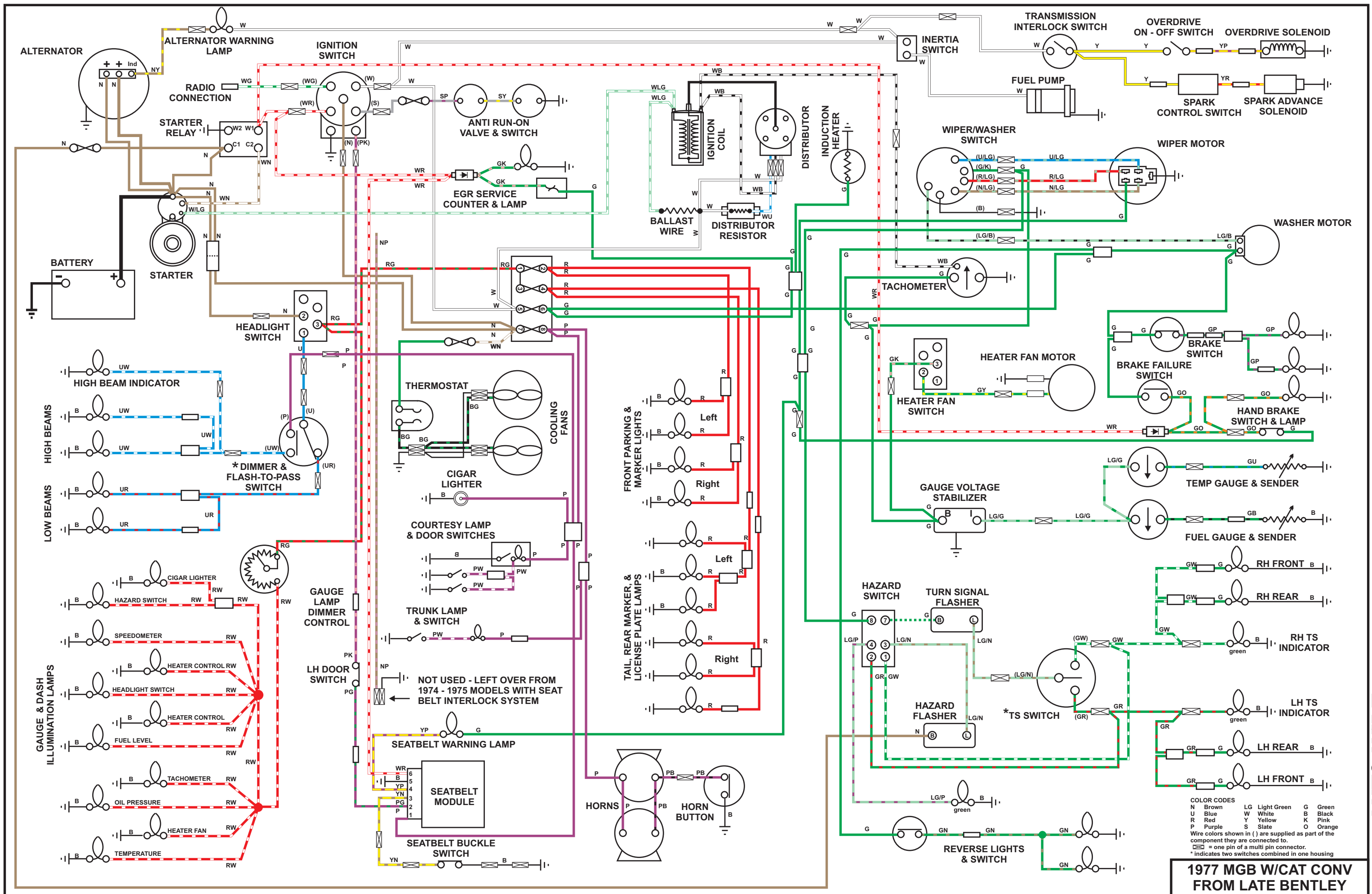
1975 MGB W/SEQUENTIAL SEAT BELT WARNING FROM LATE BENTLEY

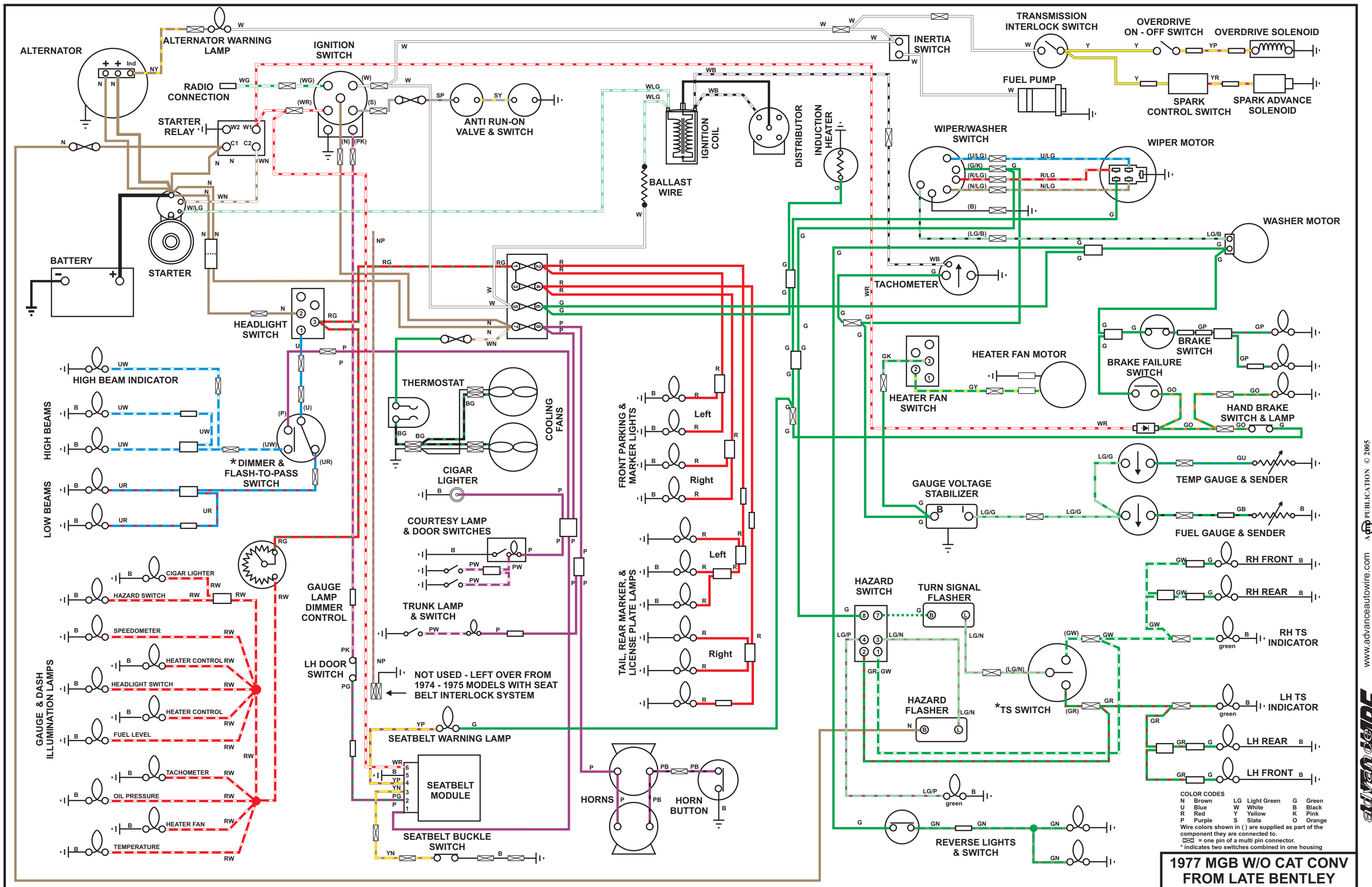
www.advanceautowire.com
 ADVANCE PUBLICATION © 2015
 May be reproduced for personal, non-commercial use only

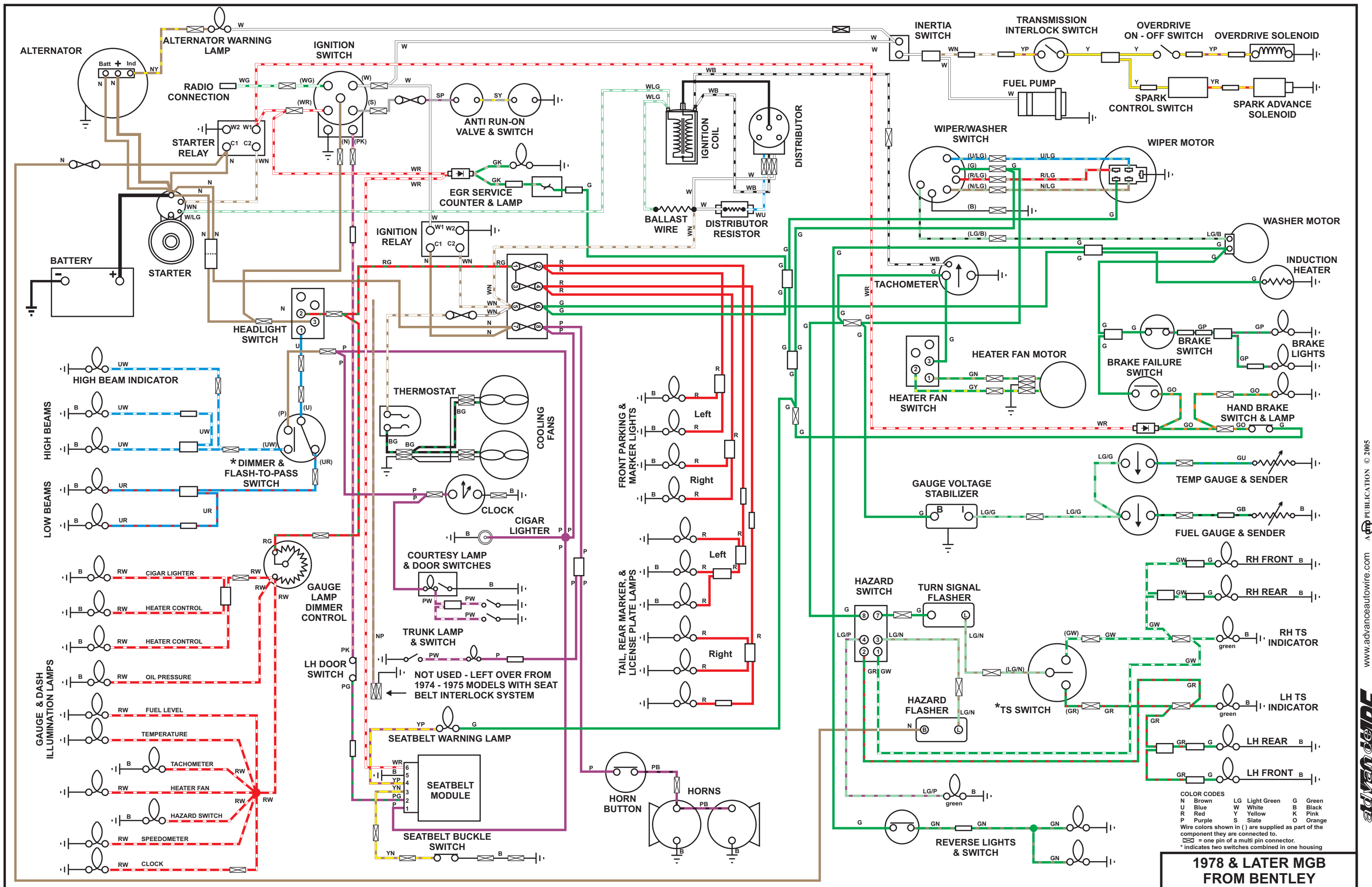
ADVANCE
 AUTOWIRE

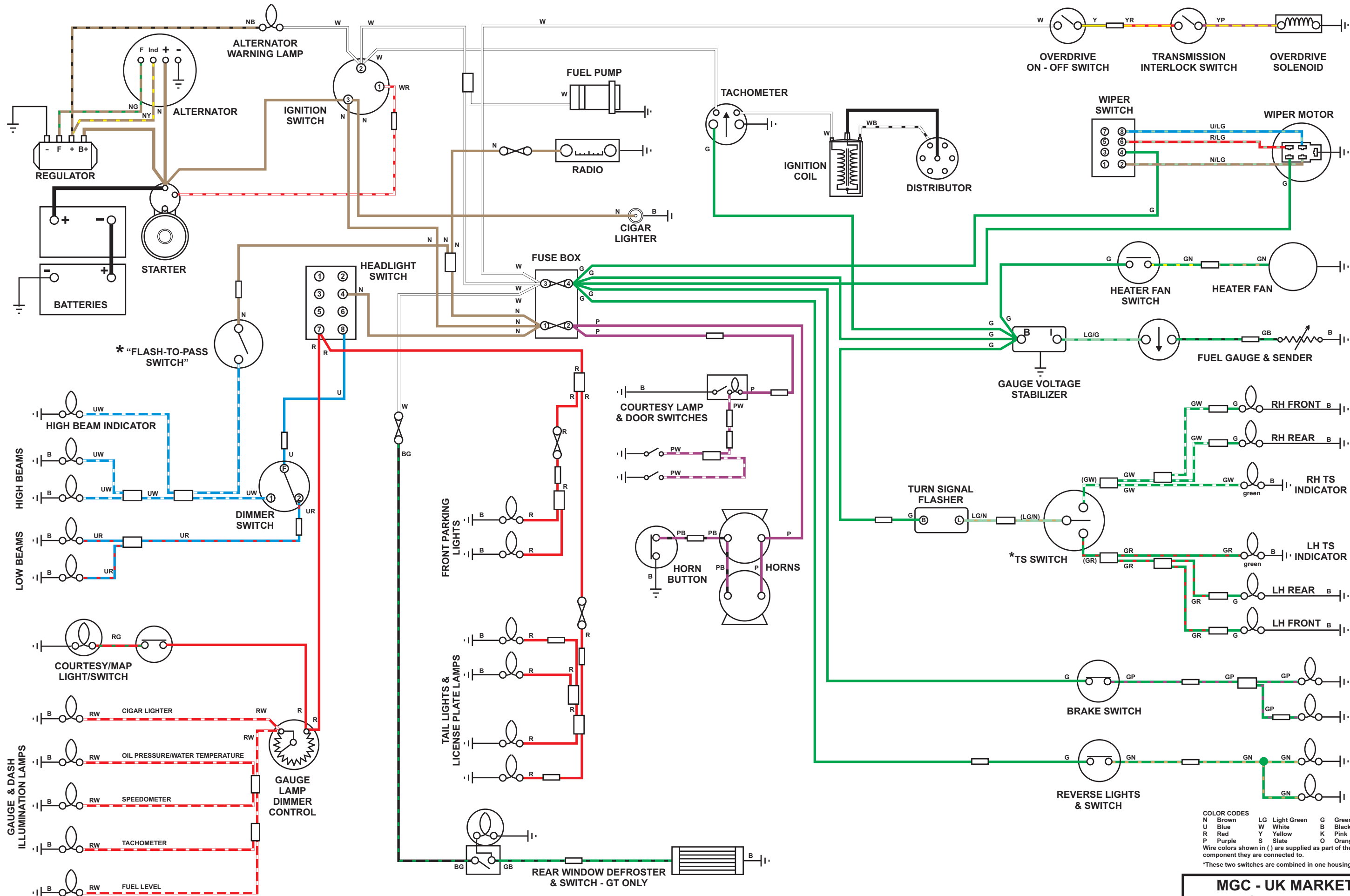




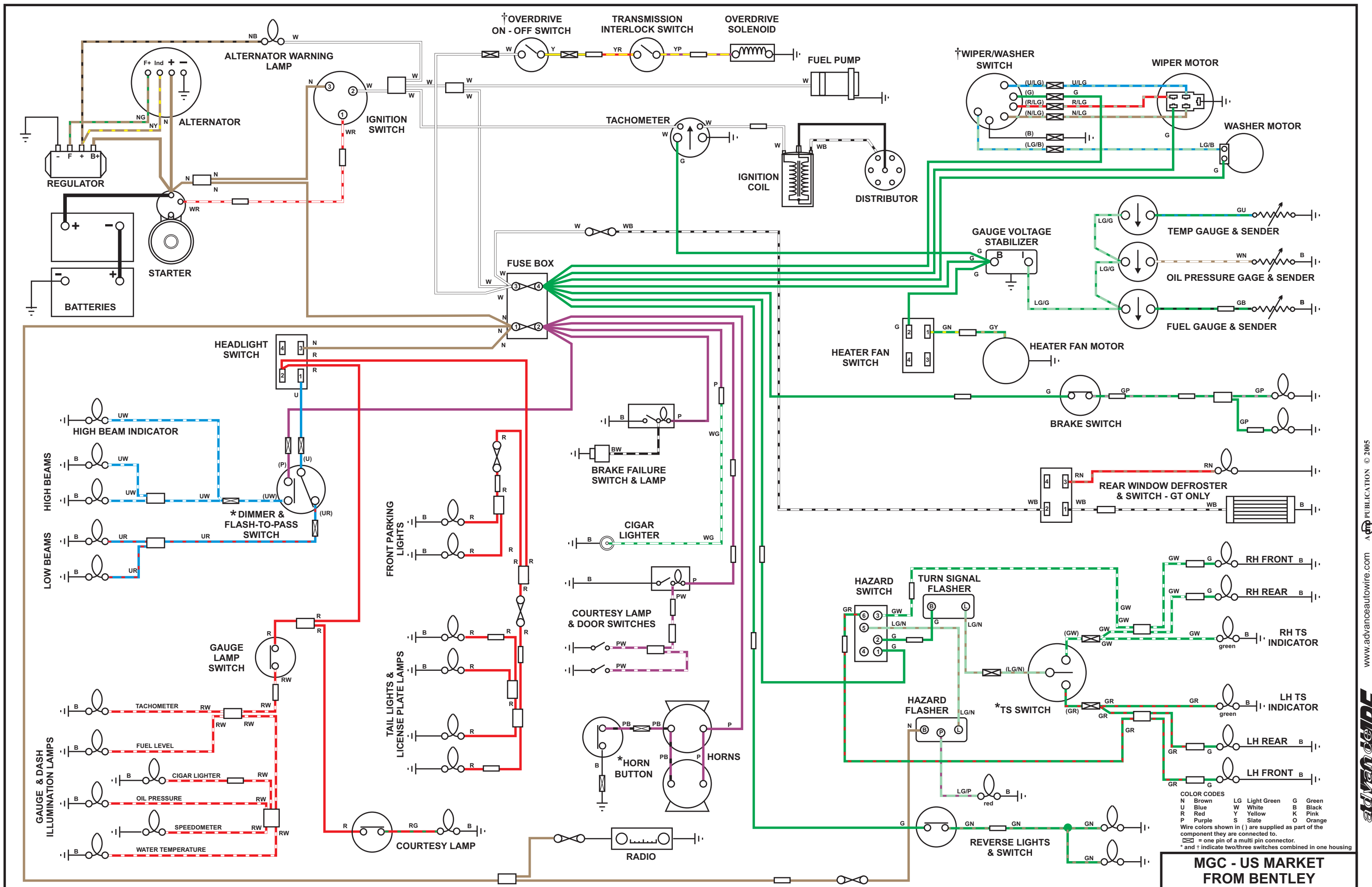




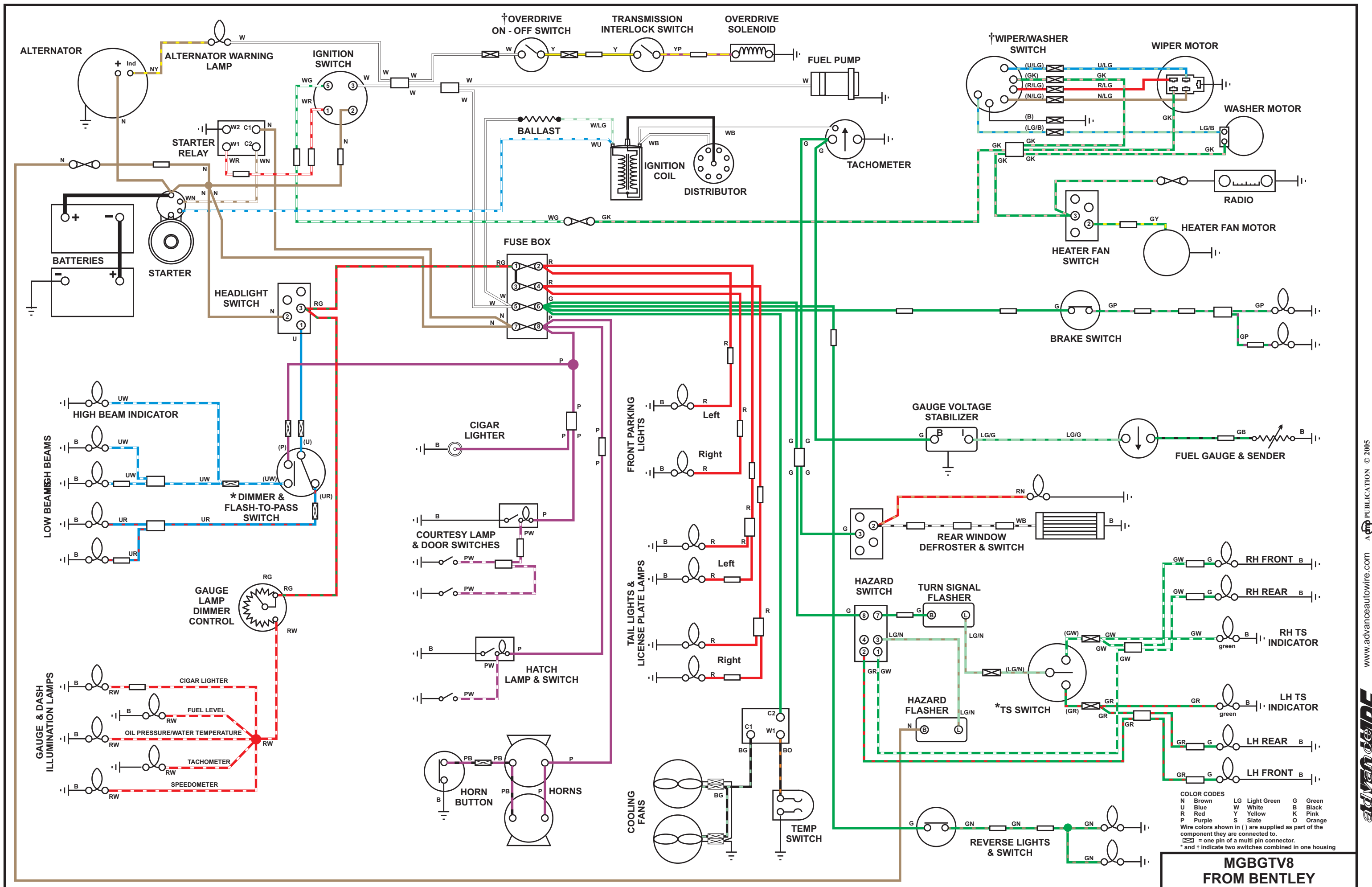




MGC - UK MARKET FROM BENTLEY



MGC - US MARKET FROM BENTLEY

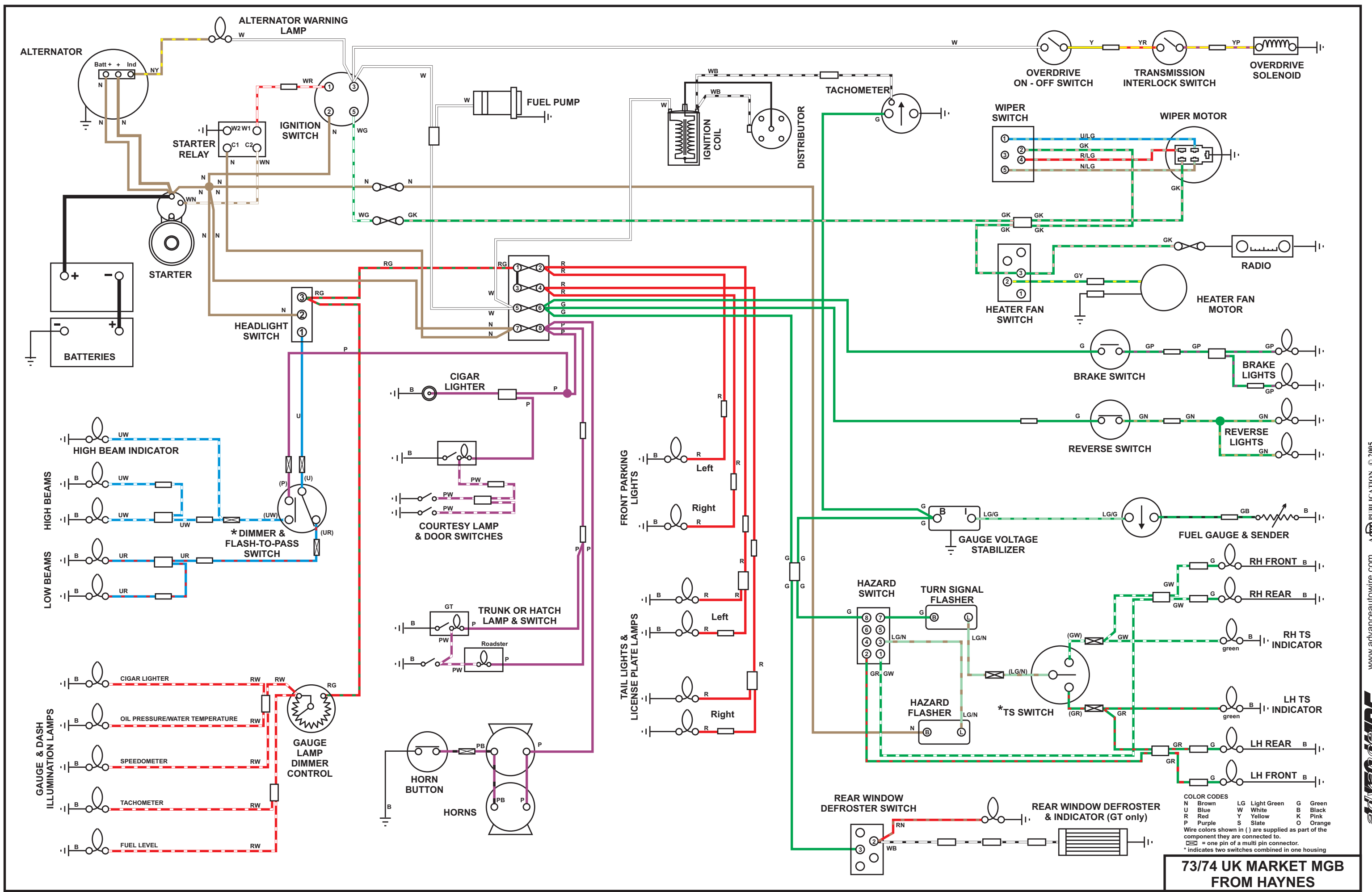


COLOR CODES

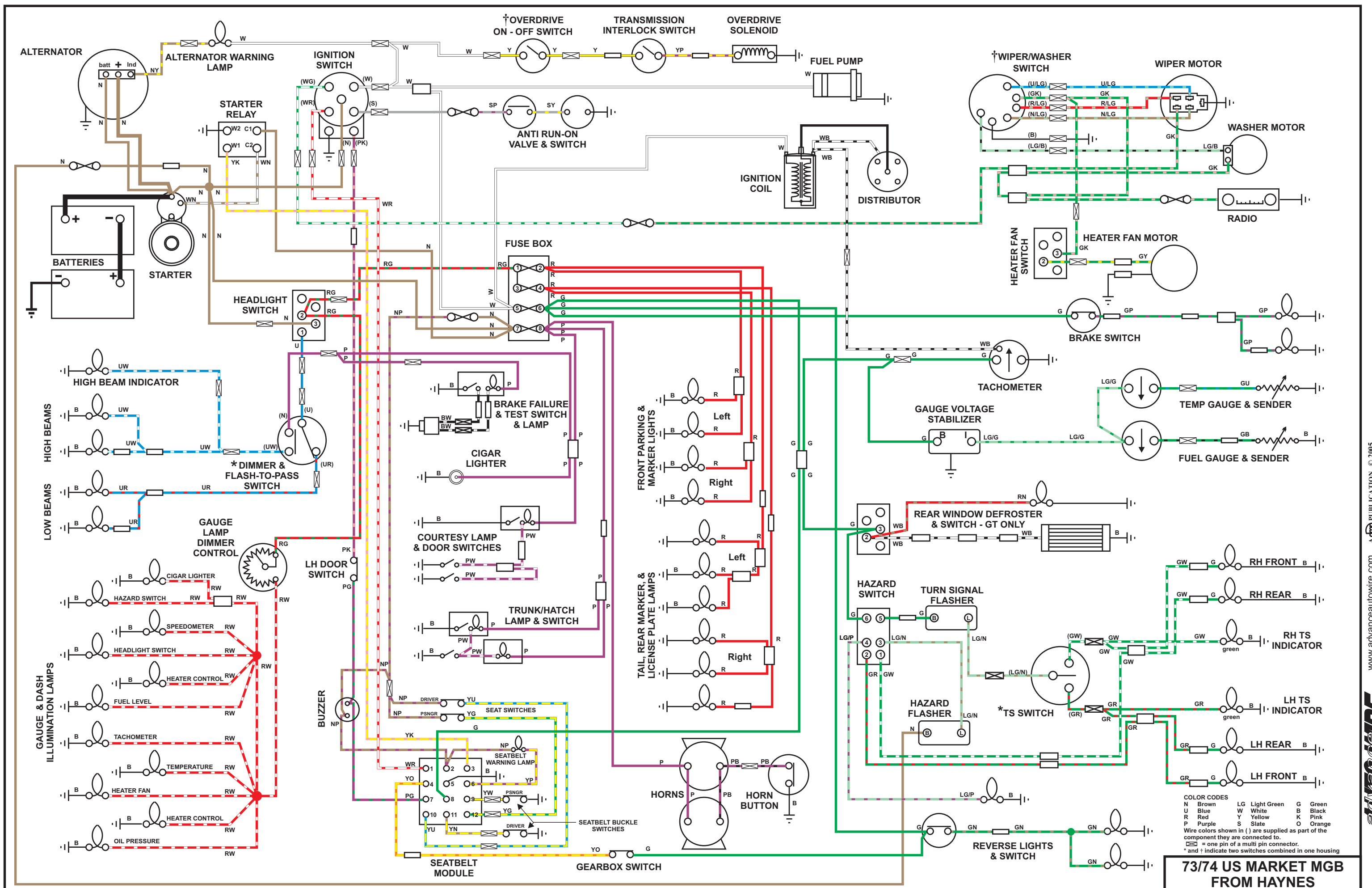
N	Brown	LG	Light Green	G	Green
U	Blue	W	White	B	Black
R	Red	Y	Yellow	K	Pink
P	Purple	S	State	O	Orange

Wire colors shown in () are supplied as part of the component they are connected to.
 ⊞ = one pin of a multi pin connector.
 * and † indicate two switches combined in one housing

MGBGTV8 FROM BENTLEY



73/74 UK MARKET MGB FROM HAYNES



COLOR CODES

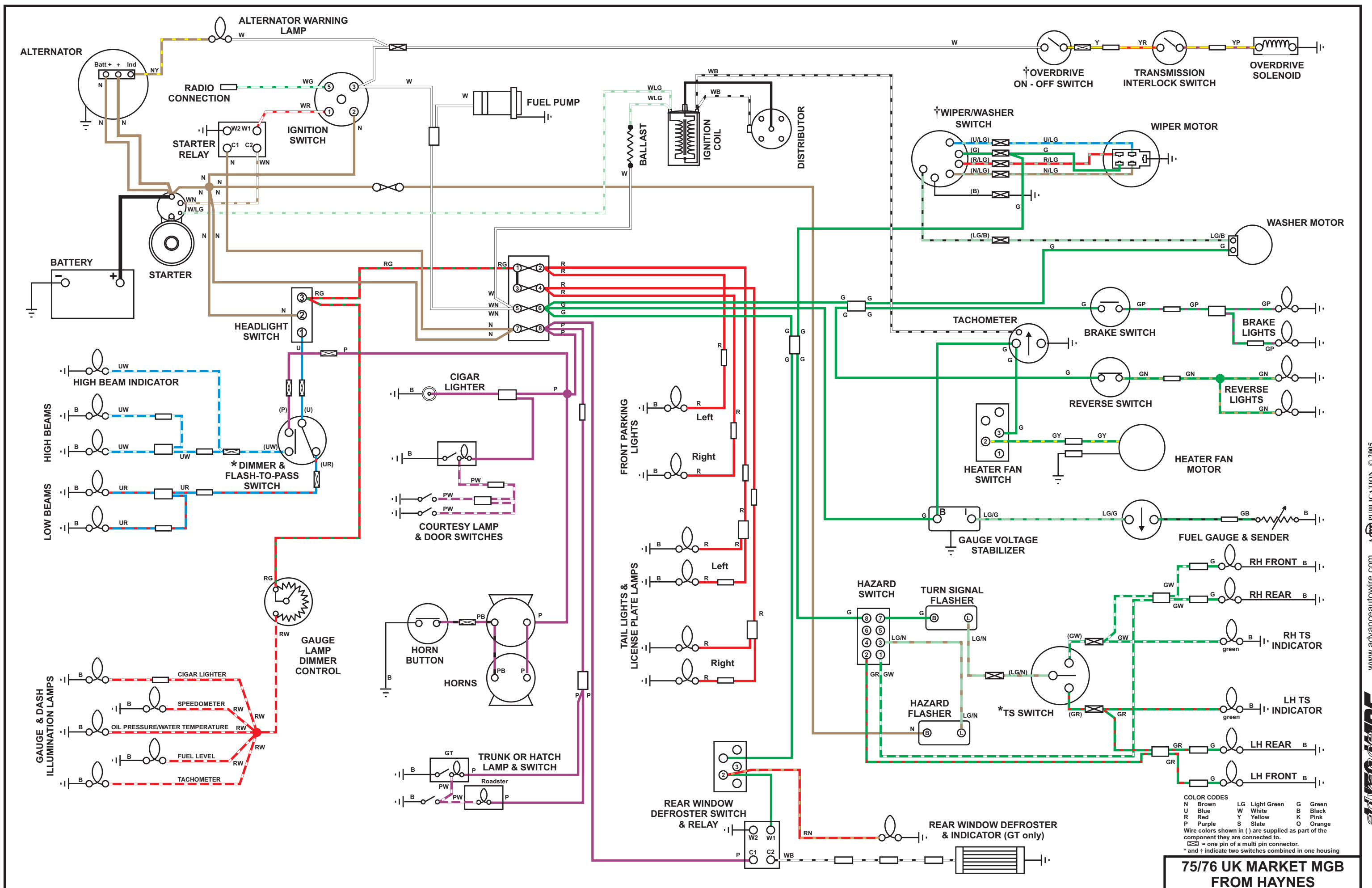
N	Brown	LG	Light Green	G	Green
U	Blue	W	White	B	Black
R	Red	Y	Yellow	K	Pink
P	Purple	S	State	O	Orange

Wire colors shown in () are supplied as part of the component they are connected to.
 ⊠ = one pin of a multi pin connector.
 * and † indicate two switches combined in one housing

73/74 US MARKET MGB FROM HAYNES

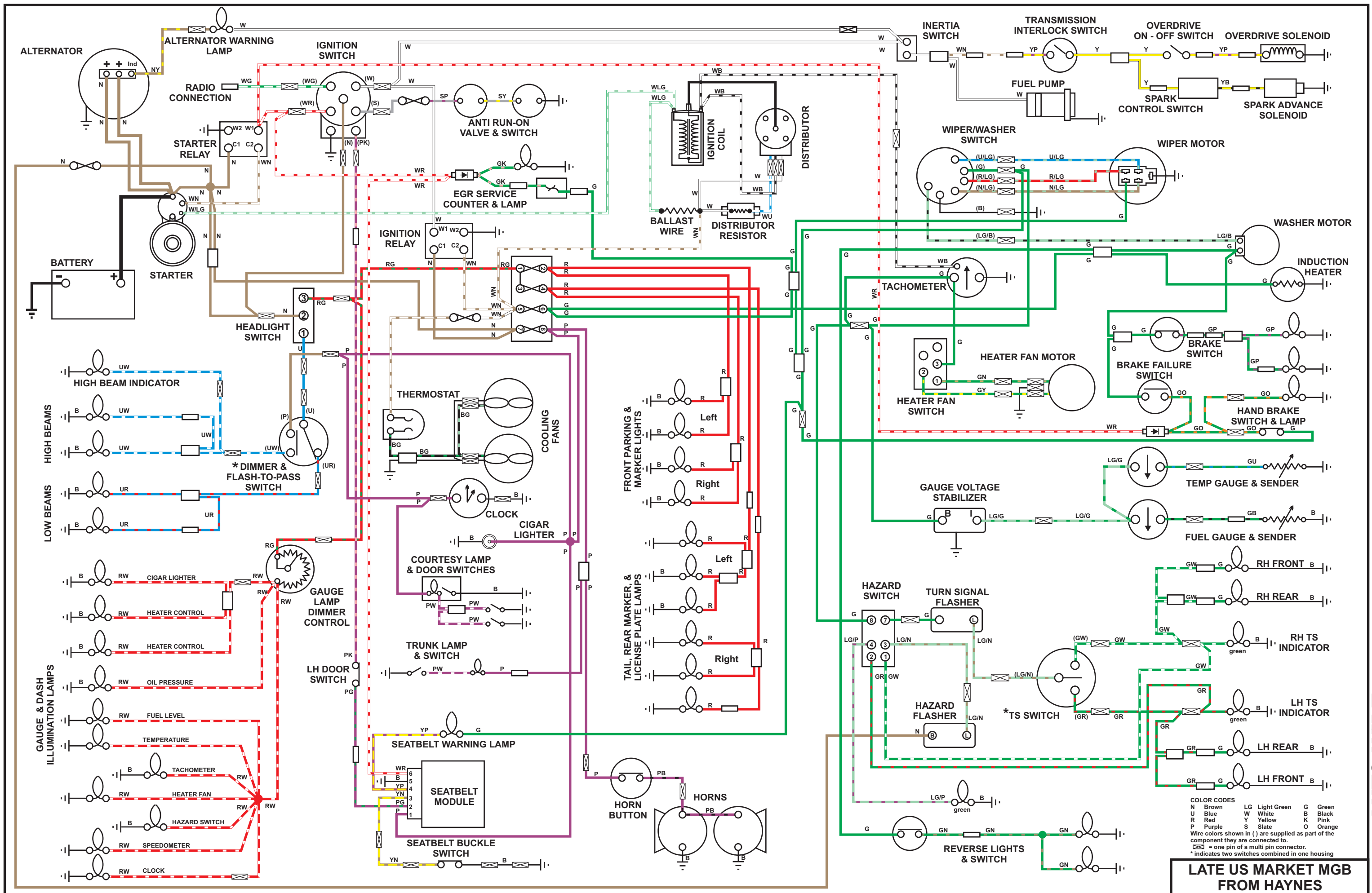
www.advanceautowire.com
 ADVANCE PUBLICATION © 2015
 May be reproduced for personal, non-commercial use only

ADVANCE
 AUTOWIRE

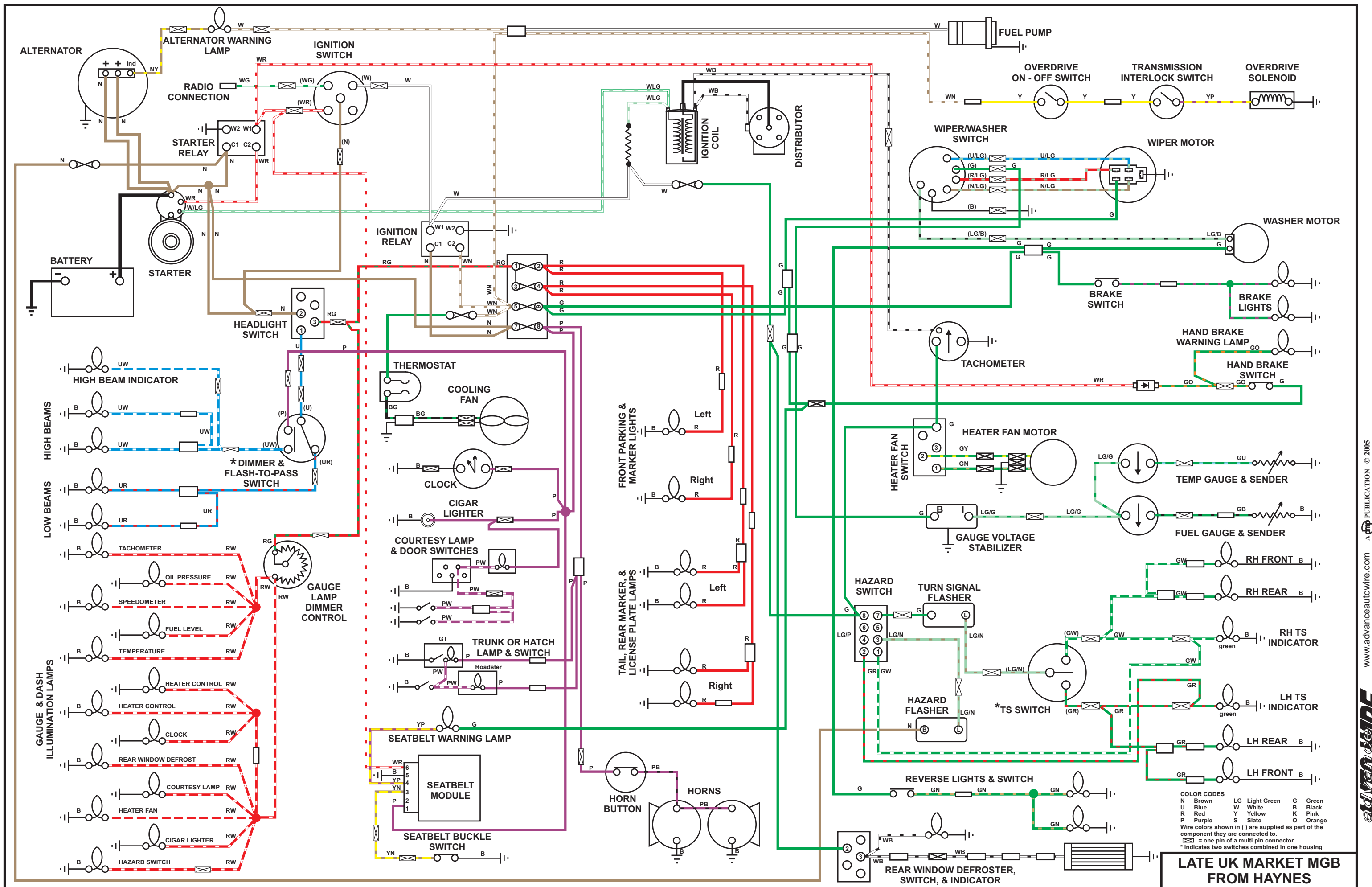


COLOR CODES
 N Brown LG Light Green G Green
 U Blue W White B Black
 R Red Y Yellow K Pink
 P Purple S Slate O Orange
 Wire colors shown in () are supplied as part of the component they are connected to.
 ☒ = one pin of a multi pin connector.
 * and † indicate two switches combined in one housing

75/76 UK MARKET MGB FROM HAYNES



LATE US MARKET MGB FROM HAYNES



COLOR CODES
 N Brown LG Light Green G Green
 U Blue W White B Black
 R Red Y Yellow K Pink
 P Purple S Slate O Orange
 Wire colors shown in () are supplied as part of the component they are connected to.
 ☒ = one pin of a multi pin connector.
 * indicates two switches combined in one housing

LATE UK MARKET MGB FROM HAYNES